

EN

HUAYU
new energy

Most Cost-saving Solution for Microinverter

- HY-2000-Plus (4 in 1)
- HY-1600-Plus (4 in 1)
- HY-1300-Plus (4 in 1)
- HY-1200-Plus (4 in 1)
- HY-1000-Plus (2 in 1)
- HY-800-Plus (2 in 1)
- HY-600-Plus (2 in 1)
- HY-600-Plus-127V (2 in 1)
- HY-500-Plus (Single Unit)
- HY-400-Plus (Single Unit)
- HY-300-Plus (Single Unit)

25
YEAR
WARRANTY

Make our home energy self-sufficient.

World's First Data Logger (DTU) Integrated Microinverter



Huayu Module-level
Monitoring System

- Stable data collection with WiFi/PLC/Zigbee solution
- Compliant with EU GDPR (the General Data Protection Regulation)
- Available for PC, Pad & Smartphone

Why Huayu Microinverter

	Huayu Microinverter Solution		Conventional Microinverter Solution
Extension Warranty Cost	25 years (Standard)	VS.	5~10 years (extra cost for extension)
Startup Voltage	20Vdc	VS.	22Vdc
MPPT for 4 in 1	4 MPPTs	VS.	Some with only 2 MPPTs
AC Cable Cost	Integrated(2.27m/4.23m) for 2 in 1/4 in 1	VS.	Most not integrated (extra cost)
Data Logger Cost	Integrated (Save 100~200 USD)	VS.	Not integrated (100~200 USD extra cost)
Monitoring Availability	PC/Smartphone/Pad	VS.	Most with only PC/Smartphone
Monitoring Data Collection	WiFi/PLC/Zigbee for stronger signal	VS.	Weak wireless signal collection such as 2.4G

Safer • Smarter • More Powerful • More Reliable • More Cost-effective

Huayu Microinverter Line-up

Huayu Microinverter (Single Unit)

Input Data(DC)	HY-300-Plus	HY-400-Plus	HY-500-Plus
Commonly used module pairings	2×210W~400W	2×210W~500W	2×210W~600W
Module compatibility	60-cell, 72-cell PV modules	60-cell, 72-cell PV modules	60-cell, 72-cell PV modules
Maximum Input DC Voltage	60V	60V	60V
Power point tracking voltage range	25~55V	25~55V	25~55V
Operating Range	16~60V	16~60V	16~60V
Min/Max start voltage	20/60V	20/60V	20/60V
Max DC short circuit current (module Isc)	16A	16A	16A
Overvoltage class DC port	II	II	II
DC port backfeed current	0 A	0 A	0 A
PV array configuration	1 x 1 ungrounded array; No additional DC side protection required; AC side protection requires max 25A per branch circuit		
Max.Input Current	1×10.5A	1×12.5A	1×12.5A
Output Data(AC)			
Peak Output Power	330W	440W	550W
Maximum Continuous Output Power	300W	400W	500W
Nominal (L-L) voltage/range	230/184~265V		
Maximum continuous output current	1.4A	1.9A	2.4A
Nominal Frequency/Range	50 / 60Hz		
Extended Frequency/Range	45~55Hz / 55~65Hz		
AC short circuit fault current over 3 cycles	7Arms	7Arms	8Arms
Maximum units per 20 A (L-L) branch circuit	17	13	10
Overvoltage class AC port	III	III	III
Power factor setting	1.00	1.00	1.00
Level of harmonics distortion	<3%		
Efficiency			
CEC Weighted Efficiency	95%		
Peak Inverter Efficiency	96.5%		
Static MPPT Efficiency	99%		
Night Time Power Consumption	<50mW		
Mechanical Data			
Ambient Temperature Range	-40°C~+65°C		
Relative humidity range	4% to 100% (condensing)		
Connector type: DC	MC4		
Dimensions(W*H*D)	212×229×40 mm (Without mounting bracket and cable)		
Weight	3.5kg		
Cooling	Natural Convection-No Fans		
Approved for wet locations	Yes		
Pollution degree	PD3		
Enclosure Environmental Rating	IP67		
Environmental category / UV exposure rating	NEMA Type 6 / outdoor		
AC Cable Length(Integrated with AC Connectors)	2.28m		
Features			
Communication	PLC/WiFi/Zigbee		
Monitoring	Support remote web page monitoring and local MECD monitoring		
Disconnecting means	The AC and DC connectors have been evaluated and approved by UL for use as the load-break disconnect required by NEC 690.		
Compliance	UL1741, INMETRO,VDE4105, VDE0126, IEC62109, EN50549, CE & INMETRO etc.		
Warranty	25 years		

Safer • Smarter • More Powerful • More Reliable • More Cost-effective

Huayu Microinverter Line-up

Huayu Microinverter (2 in 1)

Input Data(DC)	HY-600-Plus-127V	HY-600-Plus	HY-800-Plus	HY-1000-Plus
Commonly used module pairings	2×210W~350W	2×210W~400W	2×210W~600W	2×210W~600W
Module compatibility	60-cell, 72-cell PV modules	60-cell, 72-cell PV modules	60-cell, 72-cell PV modules	60-cell, 72-cell PV modules
Maximum Input DC Voltage	60V	60V	60V	60V
Power point tracking voltage range	25~55V	25~55V	25~55V	25~55V
Operating Range	16~60V	16~60V	16~60V	16~60V
Min/Max start voltage	20/60V	20/60V	20/60V	20/60V
Max DC short circuit current (module Isc)	16A	16A	16A	16A
Oversoltage class DC port	II	II	II	II
DC port backfeed current	0 A	0 A	0 A	0 A
PV array configuration	1 x 1 ungrounded array; No additional DC side protection required; AC side protection requires max 25A per branch circuit			
Max.Input Current	2×10.5A	2×10.5A	2×12.5A	2×12.5A
Output Data(AC)				
Peak Output Power	500W	660W	880W	1100W
Maximum Continuous Output Power	500W	600W	800W	1000W
Nominal (L-L) voltage/range	127/95~155V	230/184~265V		
Maximum continuous output current	4A	2.9A	3.8A	4.8A
Nominal Frequency/Range	60.0 / 59.3~60.5Hz	50 / 60Hz		
Extended Frequency/Range	60.0 / 55~65Hz	45~55Hz / 55~65Hz		
AC short circuit fault current over 3 cycles	9Arms	8Arms	9Arms	10Arms
Maximum units per 20 A (L-L) branch circuit	6	8	6	5
Oversoltage class AC port	III	III	III	III
Power factor setting	1.00	1.00	1.00	1.00
Level of harmonics distortion	<3%			
Efficiency				
CEC Weighted Efficiency	95%			
Peak Inverter Efficiency	96.5%			
Static MPPT Efficiency	99%			
Night Time Power Consumption	<50mW			
Mechanical Data				
Ambient Temperature Range	-40°C~+65°C			
Relative humidity range	4% to 100% (condensing)			
Connector type: DC	MC4			
Dimensions(W*H*D)	212×229×40 mm (Without mounting bracket and cable)			
Weight	3.5kg			
Cooling	Natural Convection-No Fans			
Approved for wet locations	Yes			
Pollution degree	PD3			
Enclosure Environmental Rating	IP67			
Environmental category / UV exposure rating	NEMA Type 6 / outdoor			
AC Cable Length(Integrated with AC Connectors)	2.28m			
Features				
Communication	PLC/WiFi/Zigbee			
Monitoring	Support remote web page monitoring and local MECD monitoring			
Disconnecting means	The AC and DC connectors have been evaluated and approved by UL for use as the load-break			
Compliance	UL1741, INMETRO,VDE4105, VDE0126, IEC62109, EN50549, CE & INMETRO etc.			
Warranty	25 years			

Safer • Smarter • More Powerful • More Reliable • More Cost-effective

Huayu Microinverter Line-up

Huayu Microinverter (4 in 1)

Input Data(DC)	HY-1200-Plus	HY-1300-Plus	HY-1600-Plus	HY-2000-Plus
Commonly used module pairings	4×210W~400W	4×210W~400W	4×210W~600W	4×210W~600W
Module compatibility	60-cell, 72-cell PV modules	60-cell, 72-cell PV modules	60-cell, 72-cell PV modules	60-cell, 72-cell PV modules
Maximum Input DC Voltage	60V	60V	60V	60V
Power point tracking voltage range	25~55V	25~55V	25~55V	25~55V
Operating Range	16~60V	16~60V	16~60V	16~60V
Min/Max start voltage	20/60V	20/60V	20/60V	20/60V
Max DC short circuit current (module Isc)	16A	16A	16A	16A
Overvoltage class DC port	II	II	II	II
DC port backfeed current	0 A	0 A	0 A	0 A
PV array configuration	1 x 1 ungrounded array; No additional DC side protection required; AC side protection requires max 25A per branch circuit			
Max.Input Current	4×10.5A	4×10.5A	4×12.5A	4×12.5A
Output Data(AC)				
Peak Output Power	1320W	1430W	1760W	2200W
Maximum Continuous Output Power	1200W	1300W	1600W	2000W
Nominal (L-L) voltage/range	230/184~265V			
Maximum continuous output current	5.7A	6.2A	7.7A	9.6A
Nominal Frequency/Range	50 / 60Hz			
Extended Frequency/Range	45~55Hz / 55~65Hz			
AC short circuit fault current over 3 cycles	11Arms	12Arms	13Arms	15Arms
Maximum units per 20 A (L-L) branch circuit	4	4	4	3
Overvoltage class AC port	III	III	III	III
Power factor setting	1.00	1.00	1.00	1.00
Level of harmonics distortion	<3%			
Efficiency				
CEC Weighted Efficiency	95%			
Peak Inverter Efficiency	96.5%			
Static MPPT Efficiency	99%			
Night Time Power Consumption	<50mW			
Mechanical Data				
Ambient Temperature Range	-40°C~+65°C			
Relative humidity range	4% to 100% (condensing)			
Connector type: DC	MC4			
Dimensions(W*H*D)	267×300×42.5 mm (Without mounting bracket and cable)			
Weight	5.2kg			
Cooling	Natural Convection-No Fans			
Approved for wet locations	Yes			
Pollution degree	PD3			
Enclosure Environmental Rating	IP67			
Environmental category / UV exposure rating	NEMA Type 6 / outdoor			
AC Cable Length(Integrated with AC Connectors)	2.45m			
Features				
Communication	PLC/WiFi/Zigbee			
Monitoring	Support remote web page monitoring and local MECD monitoring			
Disconnecting means	The AC and DC connectors have been evaluated and approved by UL for use as the load-break disconnect required by NEC 690.			
Compliance	UL1741 , INMETRO,VDE4105, VDE0126, IEC62109, EN50549, CE & INMETRO etc.			
Warranty	25 years			

Safer • Smarter • More Powerful • More Reliable • More Cost-effective

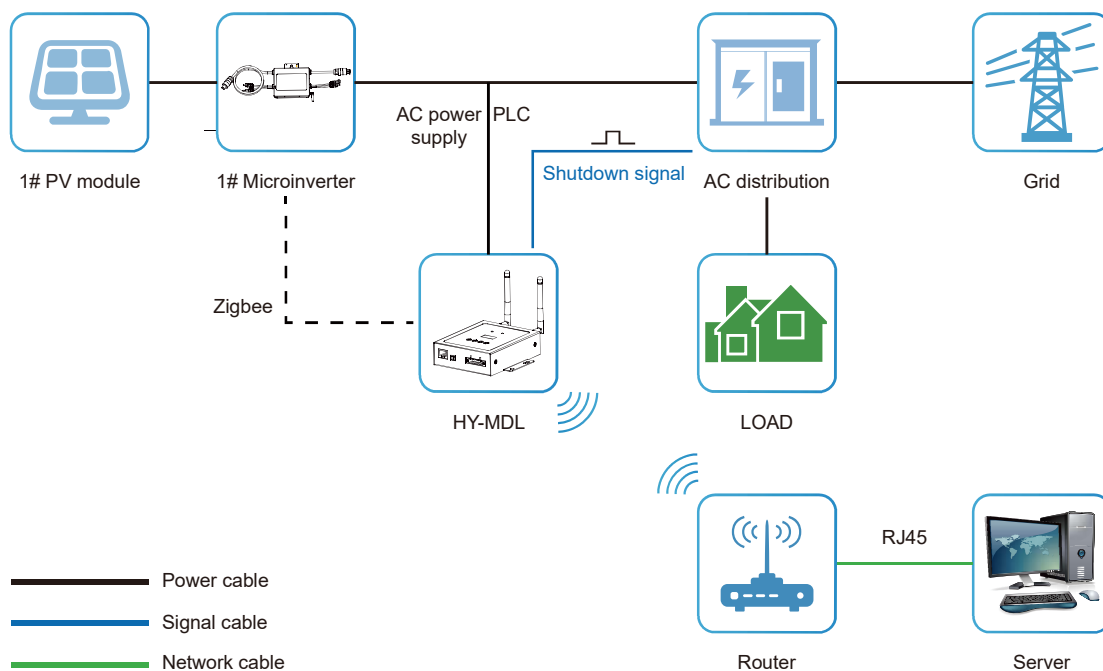
Huayu Monitoring Data Logger(Optional)

HY-MDL



Communication	
Communication method	Zigbee, PLC
Max. number of inverters connected	5, 10, 20, 32(Max.)
Communication to router	Wi-Fi
Wi-Fi wireless security	WEP, WPA2-PSK.
RS485	Reserved
Max.distance(free space)	PLC 300m; Zigbee 100m(Max. straight-line distance)
Power Supply	
AC Power Supply	100 to 240V AC, 50/60Hz
Power consumption	5W typical, 10W Maximum
Mechanical Data	
Dimensions(W×H×D)	133.6×132×35.5 mm
Weight	0.3KG
Operation temperature range	-20~+50°C
Mounting method	Wall-mounted
Display	OLED and LED indicators
Features	
Grid type	Single phase / three phase
Digital Input	IEC60950, IEC61000-6-2, FCC Part15 Class B / Class C
Other	
Compliance	IEC60950, IEC61000-6-2, FCC Part15 Class B / Class C
Warranty	5 years

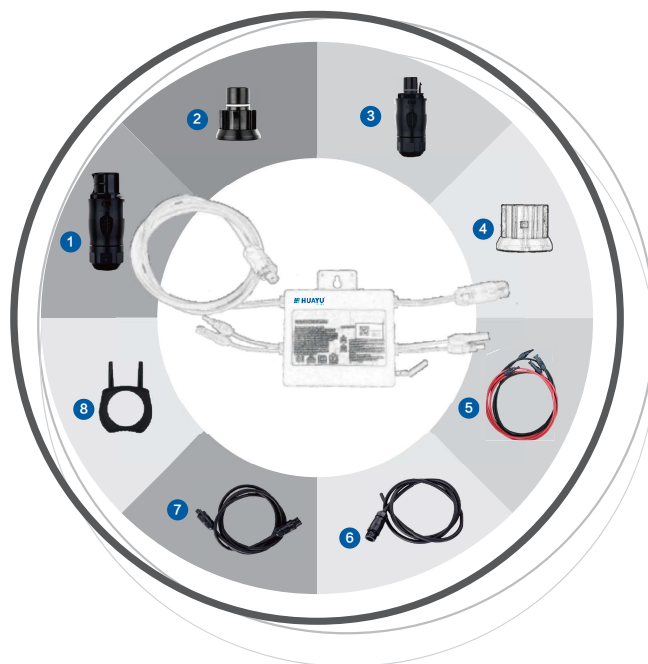
Typical Application



Huayu Microinverter

Optional Accessories

- 1 AC Female Connector
- 2 AC Female End Cap
- 3 AC Male Connector
- 4 AC Male End Cap
- 5 DC Extension Cable
- 6 AC End Cable-F
- 7 AC Extension Cable
- 8 Unlock Tool



Huayu Global Partner

Technical Training

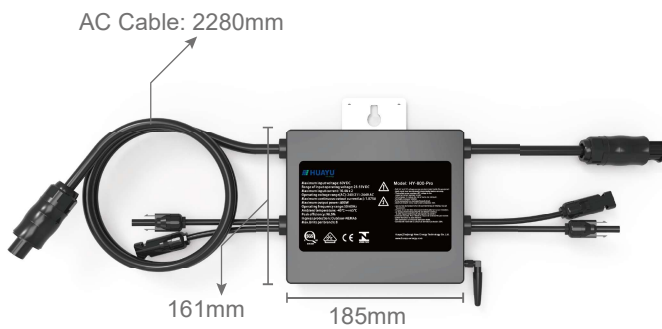


Huayu Global Service Partner Plan

- Local Service Team
- Local Service Center
- Local Technical Training

Huayu Microinverter for Cost-saving

AC Cable Integrated • Data Logger(DTU)Built-in • 25-year Warranty Included



- HY-500-Plus (Single Unit)
- HY-400-Plus (Single Unit)
- HY-300-Plus (Single Unit)
- HY-1000-Plus (2 in 1)
- HY-800-Plus (2 in 1)
- HY-600-Plus (2 in 1)
- HY-600-Plus-127V (2 in 1)
- HY-2000-Plus (4 in 1)
- HY-1600-Plus (4 in 1)
- HY-1300-Plus (4 in 1)
- HY-1200-Plus (4 in 1)

Why Pay More?

Data Logger(DTU) Cost Saving

Data Logger(DTU) built-in microinverter

AC Cable Cost Saving

4.23m AC cable integrated for 4 in 1 microinverter
2.27m AC cable integrated for 2 in 1 microinverter

Installation Time Saving

Plug & play installation with daisy chain AC cable design

Warranty Extension Free

25-year standard warranty ensuring lower LCOE & stable performance of solar system in life time

On-site Troubleshooting Free

Module-level monitoring solution enabling operating & faulty data of each solar module in hand



Huayu Headquarters

Huayu(Ningbo)New Energy Technologies Co., Ltd.
Add: No.456 Xingning Road, Ningbo 315100, P.R.China
Tel: +86-574-89258801
E-mail: info@huayu-energy.com
Website: www.huayu-energy.com

Huayu Overseas Branch

Huayu USA
Add: 20 Fairbanks,Irvine,CA92618,USA
Huayu Brazil
Add: Rua Miguel Mota 239-Vila Canero, Sao Paulo, SP 03191-110, Brazil

Huayu EMEA

Add: Zygmuntowska 10, Cracow, Poland

Huayu Mexico

Add: Calle C 500, Almacentro Industrial, 66640 Cd Apodaca, Monterrey, Mexico