

# PEDS DC Isolator

# PEDS16-32 Series DC ISolated Switch



**PROJOY**  
electric

– Switch To Safety! –

## Features

- Non-polarity DC Isolator Switch
- Modular design, optional 2-8 levels.
- Positive contact or reverse contact optional.
- Single Hole Mounting, Panel Mounting, Distribution Board, Door Clutch or Enclosure optional.
- Dynamic sealing design and world class sealing materials guarantee an IP66 protection rate.
- DC 1500V insulation voltage design, passed IEC/EN60947-3:2009+A1+A2, AS60947.3, UL508I, with TUV, CE, CB, SAA, UL, certifications.



## Select Code

<b>PEDS</b>	<b>150</b>	<b>a</b>	<b>b</b>	<b>c</b>	<b>x</b>	<b>z</b>
PROJOY Electric DC Isolated Switch	Rated Insulation Voltage	Contact	Installation Method	Rated Current	Lock	Pole & Wiring
	1500V	R: Reverse None: Positive	HM PM DB DC EL	16 25 32	R: w/lock None:w/o lock	2/3/4/6/8 2H/3H/4H 4S/4B/4T

# Technical Data

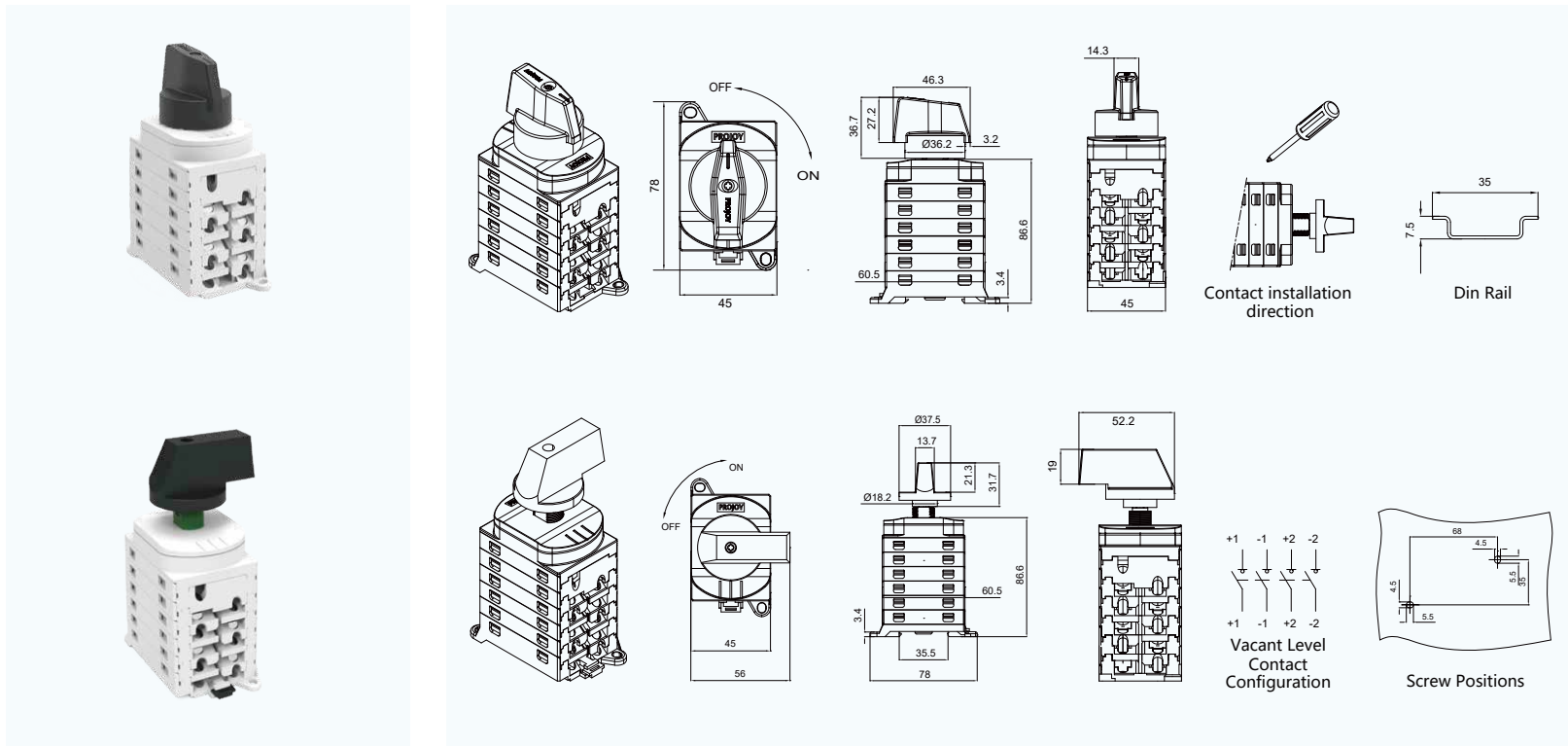
Technical Parameter					
Data according to IEC/EN60947-3:2009+A1+A2, AS60947.3, UL5081, GB/T14048.3. Utilization category DC-PV2 / DC-PV1.					
Main Parameters			PEDS-16	PEDS-25	PEDS-32
Rated insulation voltage	Ui	V	1500	1500	1500
Rated thermal current	Ith	A	16	25	32
Rated impulse withstand voltage	Uimp	V	8000	8000	8000
Rated short-time withstand current (1s)	Icw	2, 4, 6, 8	A 800	900	1000
		2H, 3H, 4H	A 1300	1500	1700
Rated short-circuit making capacity	Icm	2, 4, 6, 8	A 800	900	1000
		2H, 3H, 4H	A 1300	1500	1700
Rated conditional short-circuit current	Icc	A	5000	5000	5000
Max. fuse size	gL (gG)	A	40	63	80
Maximum cable cross sections (incl. jumper)					
Solid or standard		mm <sup>2</sup>	4-16	4-16	4-16
Flexible		mm <sup>2</sup>	4-10	4-10	4-10
Flexible (+ multicore cable end)		mm <sup>2</sup>	4-10	4-10	4-10
Torque					
Tightening torque terminal screws M4.		Nm	1.2-1.8		
Tightening torque panel mounting screws ST4.2(304 stainless steel)		Nm	0.8-0.9		
Tightening torque single hole mounting nut M16		Nm	2.0-2.5		
Tightening torque knob screws M3		Nm	0.5-0.7		
Switching on or off torque		Nm	0.9-1.9		
Screw torque		Nm	1.5-2.0		

Technical Parameter				
Power loss per switch Max.				
2	W	0.8	2	3
4	W	1.6	4	6
6	W	2.4	6	9
8	W	3.2	8	12
2H	W	0.4	1	1.5
3H	W	0.6	1.5	2.25
4H	W	0.8	2	3
General parameters				
Knob positions		OFF at 12 hr, ON at 3 hr; ( OFF at 9 hr, ON at 12 hr optional)		
Mechanical life		10,000		
Number of DC poles		2 or 4 (6/8 pole optional)		
Distance of contacts (per pole)	mm	8		
Operation temperature	°C	-40 to +85		
Storage temperature	°C	-40 to +85		
Pollution degree		2		
Overvoltage category		III		
IP rating of shafte and mounting nut		IP66		

# DISTRIBUTION BOARD DC ISOLATOR

## PEDS150-DB-X

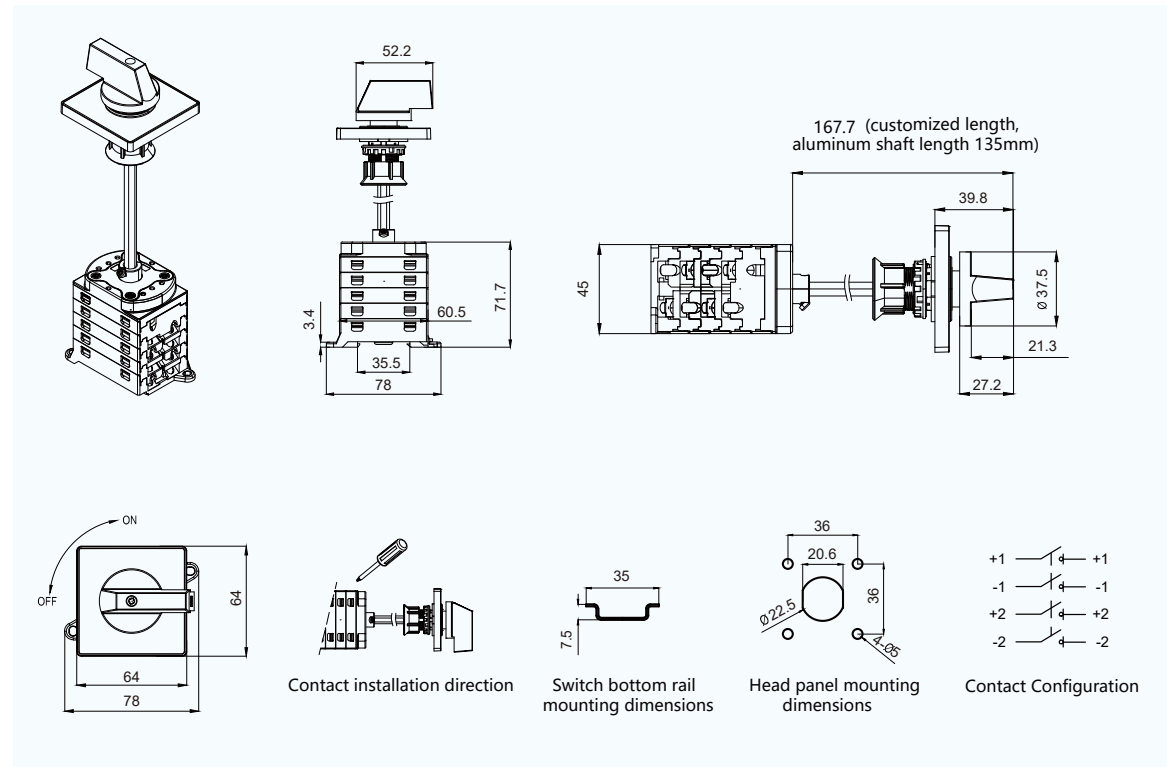
### Dimensions



# DOOR CLUTCH DC ISOLATOR

PEDS150-DC-X

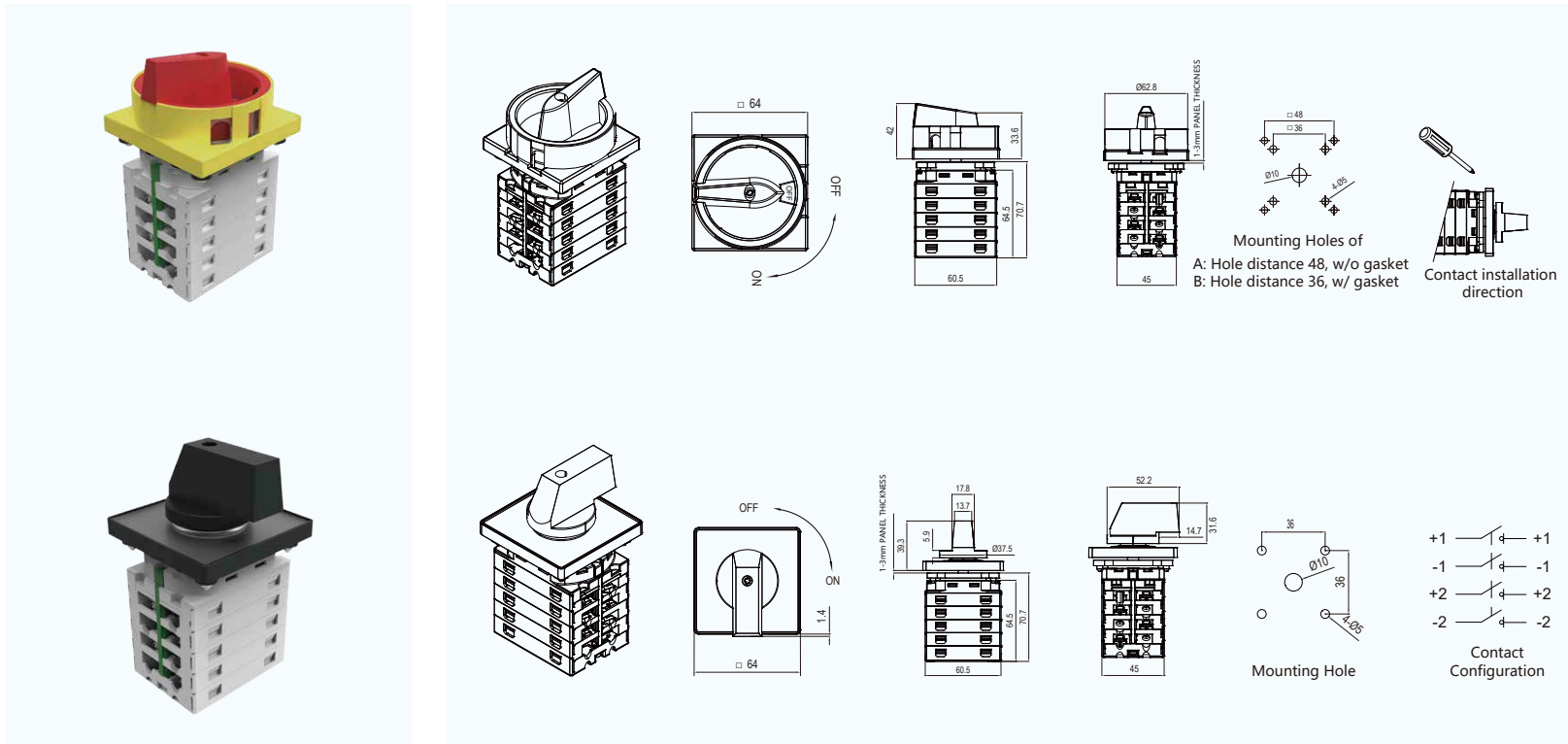
## Dimensions



# PANEL MOUNTING DC ISOLATOR

## PEDS150(R)-PM(R)-X

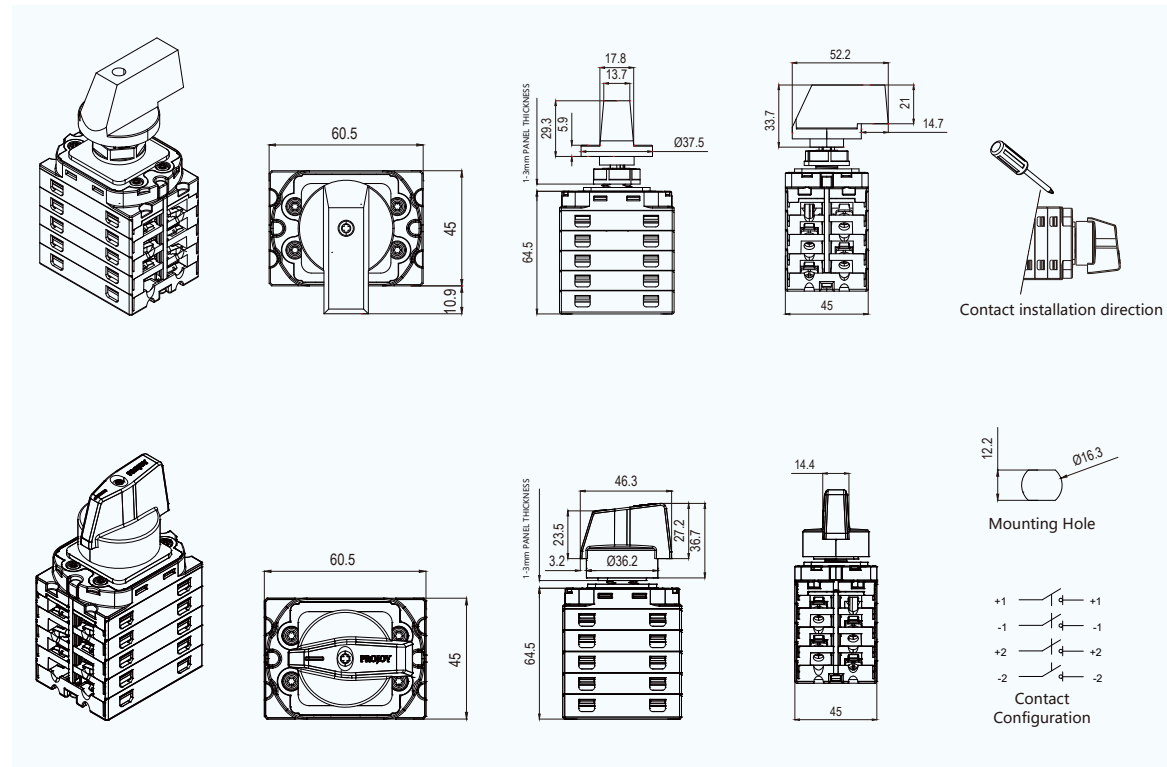
### Dimensions



# SINGLE HOLE MOUNTING DC ISOLATOR

## PEDS150(R)-HM-X

### Dimensions

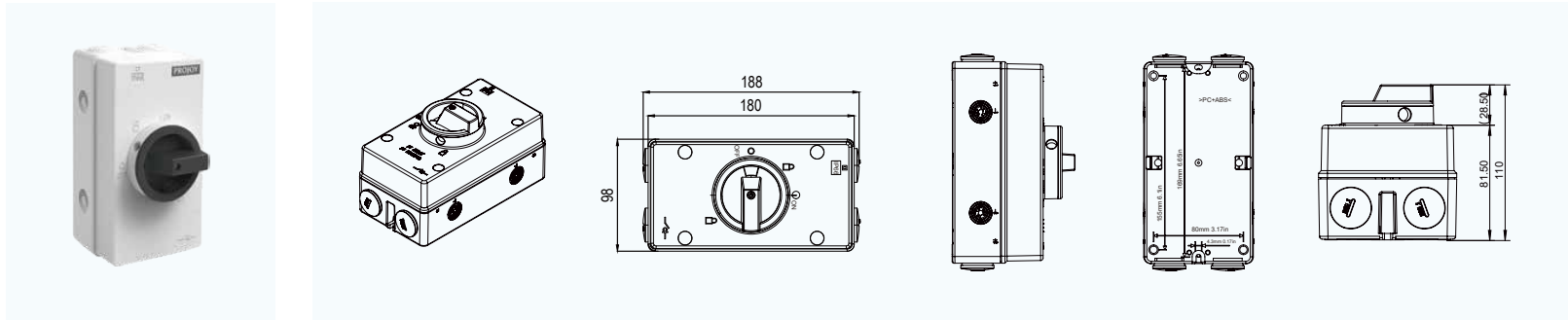


# ENCLOSURE DC ISOLATOR

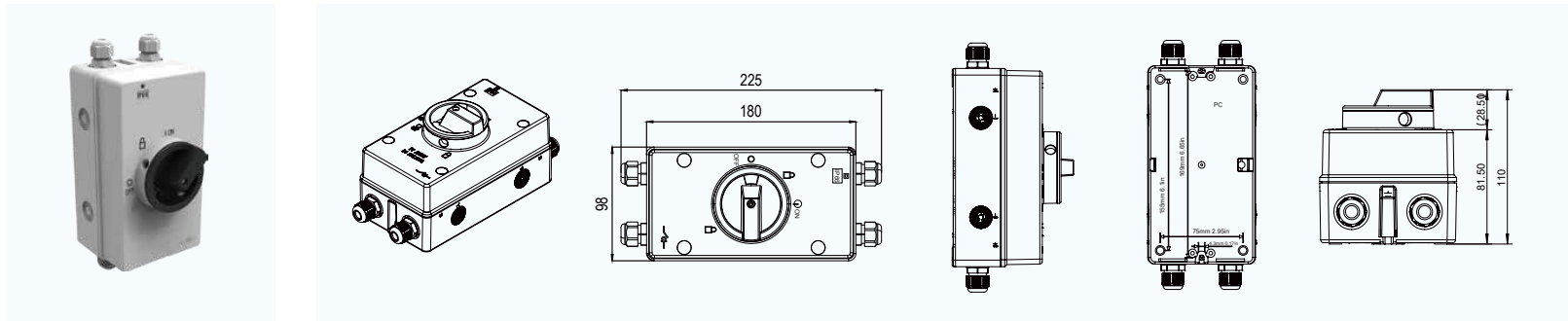
## PEDS150-EL(R)-X

### Dimensions

#### PEDS150-EL(R)-X

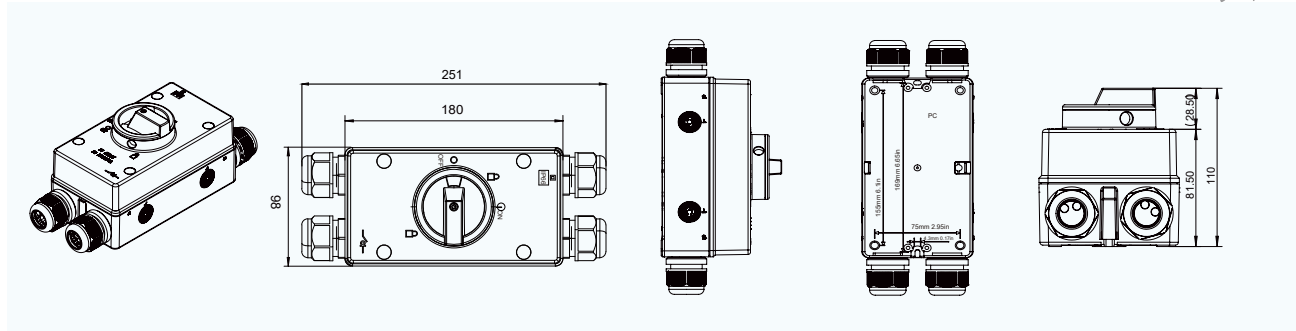


#### PEDS150-EL(R)-X M16

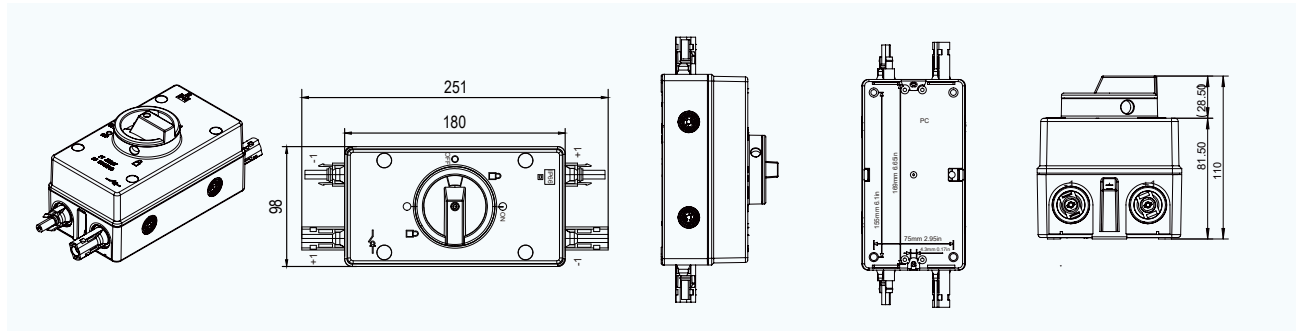




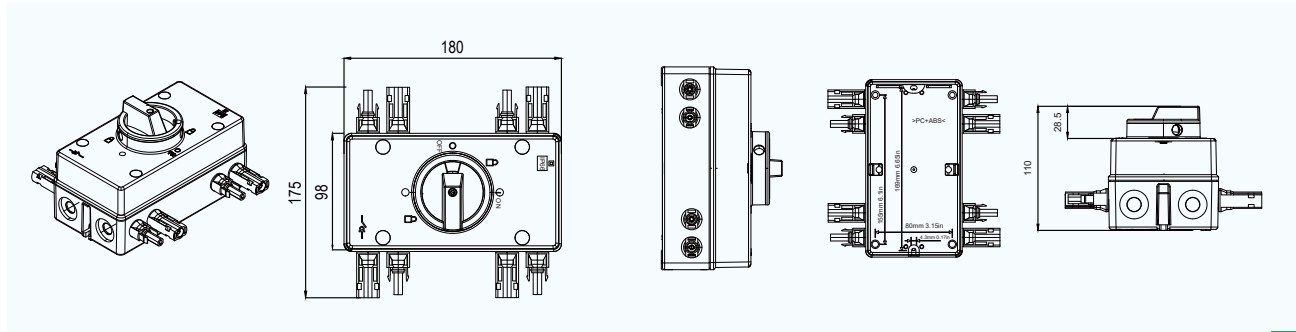
PEDS150-EL(R)-X M25



PEDS150R-EL(R)-X 2MC4



PEDS150-EL(R)-X 4MC4



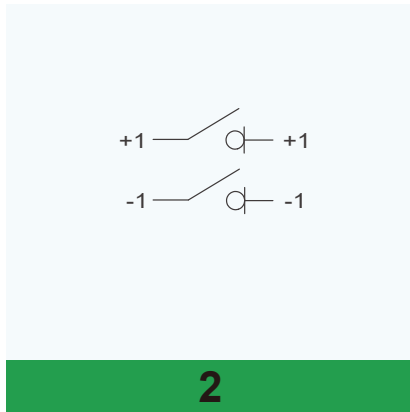
# Technical Data

Data according to IEC/EN60947-3:2009+A1+A2, Utilization category DC-PV1						Pole	No. of Strings	Part Number
300V	600V	800V	1000V	1200V	1500V			
16	16	16	9	6	3	2	1	PEDS150(R)-a16x-2
25	25	22	11	8	4	2	1	PEDS150(R)-a25x-2
32	32	26	13	10	5	2	1	PEDS150(R)-a32x-2
16	16	16	9	6	3	3	2	PEDS150(R)-a16x-3
25	25	22	11	8	4	3	2	PEDS150(R)-a25x-3
32	32	26	13	10	5	3	2	PEDS150(R)-a32x-3
16	16	16	9	6	3	4	2	PEDS150(R)-a16x-4
25	25	22	11	8	4	4	2	PEDS150(R)-a25x-4
32	32	26	13	10	5	4	2	PEDS150(R)-a32x-4
16	16	16	16	16	16	4	1	PEDS150(R)-a16x-4S
25	25	25	25	25	20	4	1	PEDS150(R)-a25x-4S
32	32	32	32	32	23	4	1	PEDS150(R)-a32x-4S
16	16	16	16	16	16	4	1	PEDS150(R)-a16x-4T
25	25	25	25	25	20	4	1	PEDS150(R)-a25x-4T
32	32	32	32	32	23	4	1	PEDS150(R)-a32x-4T
16	16	16	16	16	16	4	1	PEDS150(R)-a16x-4B
25	25	25	25	25	20	4	1	PEDS150(R)-a25x-4B
32	32	32	32	32	23	4	1	PEDS150(R)-a32x-4B
16	16	16	16	16	16	3	1	PEDS150(R)-a16x-3T
25	25	25	25	25	20	3	1	PEDS150(R)-a25x-3T
32	32	32	32	32	23	3	1	PEDS150(R)-a32x-3T
16	16	16	16	16	16	6	2	PEDS150(R)-a16x-6T
25	25	25	25	25	20	6	2	PEDS150(R)-a25x-6T
32	32	32	32	32	23	6	2	PEDS150(R)-a32x-6T
16	16	16	9	6	3	6	3	PEDS150(R)-a16x-6
25	25	22	11	8	4	6	3	PEDS150(R)-a25x-6
32	32	26	13	10	5	6	3	PEDS150(R)-a32x-6
16	16	16	9	6	3	8	4	PEDS150(R)-a16x-8
25	25	22	11	8	4	8	4	PEDS150(R)-a25x-8
32	32	26	13	10	5	8	4	PEDS150(R)-a32x-8
16	16	16	9	6	3	10	5	PEDS150(R)-a16x-10
25	25	22	11	8	4	10	5	PEDS150(R)-a25x-10
32	32	26	13	10	5	10	5	PEDS150(R)-a32x-10

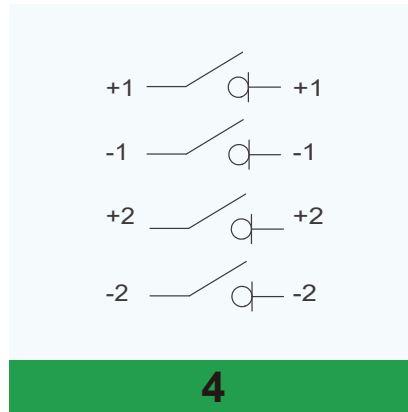
## Technical Data

Data according to IEC/EN60947-3:2009+A1+A2, AS60947.3, Utilization category DC-PV2						Poles	No. ofStrings	Part Number
300V	600V	800V	1000V	1200V	1500V			
16	16	16	6	4	3	2	1	PEDS150(R)-a16x-2
25	25	20	8	6	4	2	1	PEDS150(R)-a25x-2
32	32	23	10	8	5	2	1	PEDS150(R)-a32x-2
16	16	16	6	4	3	3	2	PEDS150(R)-a16x-3
25	25	20	8	6	4	3	2	PEDS150(R)-a25x-3
32	32	23	10	8	5	3	2	PEDS150(R)-a32x-3
16	16	16	6	4	3	4	2	PEDS150(R)-a16x-4
25	25	20	8	6	4	4	2	PEDS150(R)-a25x-4
32	32	23	10	8	5	4	2	PEDS150(R)-a32x-4
16	16	16	16	13	9	4	1	PEDS150(R)-a16x-4S
25	25	25	25	16	11	4	1	PEDS150(R)-a25x-4S
32	32	32	32	18	13	4	1	PEDS150(R)-a32x-4S
16	16	16	16	13	9	4	1	PEDS150(R)-a16x-4T
25	25	25	25	16	11	4	1	PEDS150(R)-a25x-4T
32	32	32	32	18	13	4	1	PEDS150(R)-a32x-4T
16	16	16	16	13	9	4	1	PEDS150(R)-a16x-4B
25	25	25	25	16	11	4	1	PEDS150(R)-a25x-4B
32	32	32	32	18	13	4	1	PEDS150(R)-a32x-4B
16	16	16	6	4	3	6	3	PEDS150(R)-a16x-6
25	25	20	8	6	4	6	3	PEDS150(R)-a25x-6
32	32	23	10	8	5	6	3	PEDS150(R)-a32x-6
16	16	16	6	4	3	8	4	PEDS150(R)-a16x-8
25	25	20	8	6	4	8	4	PEDS150(R)-a25x-8
32	32	23	10	8	5	8	4	PEDS150(R)-a32x-8

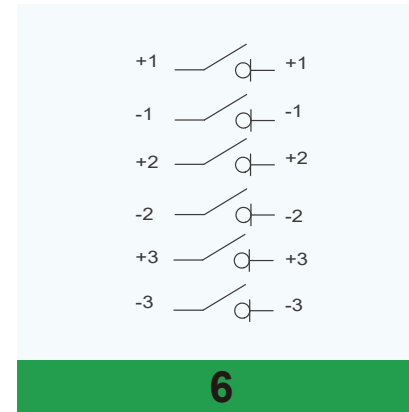
## Contact Configuration



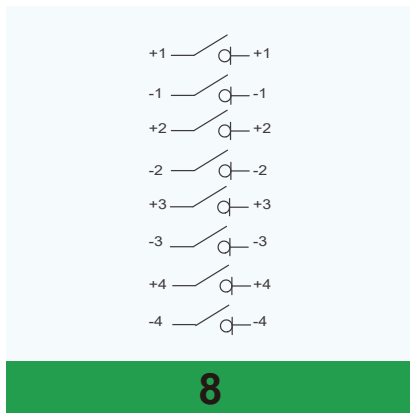
**2**



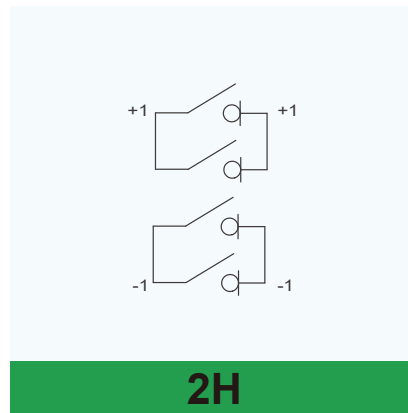
**4**



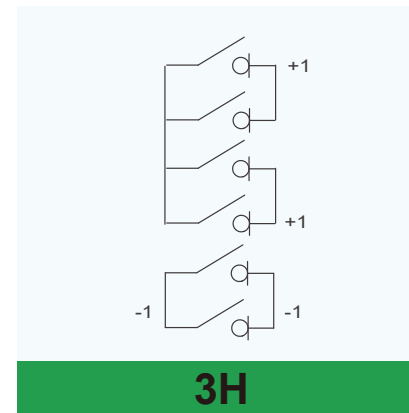
**6**



**8**

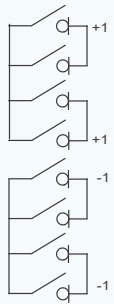


**2H**

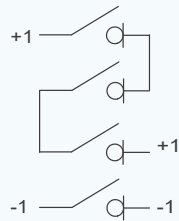


**3H**

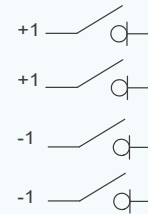
## Contact Configuration



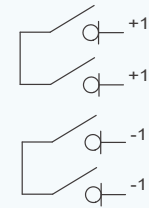
**4H**



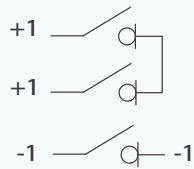
**4S**



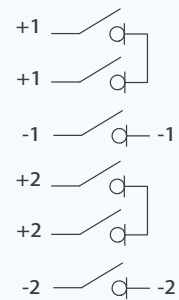
**4T**



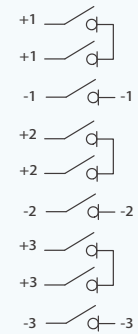
**4B**



**3T**



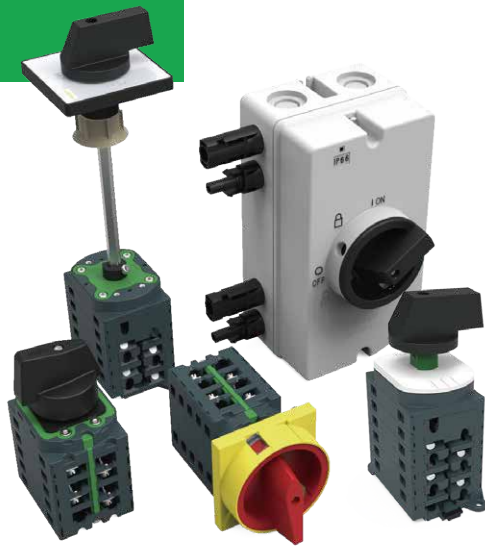
**6T**



**9T**

# PEDS40/55 Series DC Isolated Switch

CE 



**PROJOY**  
electric

– Switch To Safety! –

## Features

- No-polarity DC Isolator Switch
- Up to 40-55A
- Modular design, optional 2-8 levels.
- Positive contact or reverse contact optional.
- Single Hole Mounting , Panel Mounting Distribution Board, Door Clutch or Enclosure optional.
- Dynamic sealing design and world class sealing materials guarantee an IP66 protection rate.
- DC 1500V insulation voltage design, passed IEC/EN60947-3:2009+A1+A2, AS60947.3, UL508I, GB/T14048.3 test, with TUV, CE certifications.



## Select Code

<b>PEDS</b>	<b>150</b>	<b>a</b>	<b>b</b>	<b>c</b>	<b>x</b>	<b>z</b>
↓	↓	↓	↓	↓	↓	↓
PROJOY Electric DC Isolated Switch	Rated Insulation Voltage	Contact	Installation Method	Rated Current	Lock	Pole & Wiring
	1500V	R: Reverse None: Positive	HM PM DB DC EL	40 55	R: w/lock None:w/o lock	2/4/6/8 2H/4S 4B/4T

## Technical Data

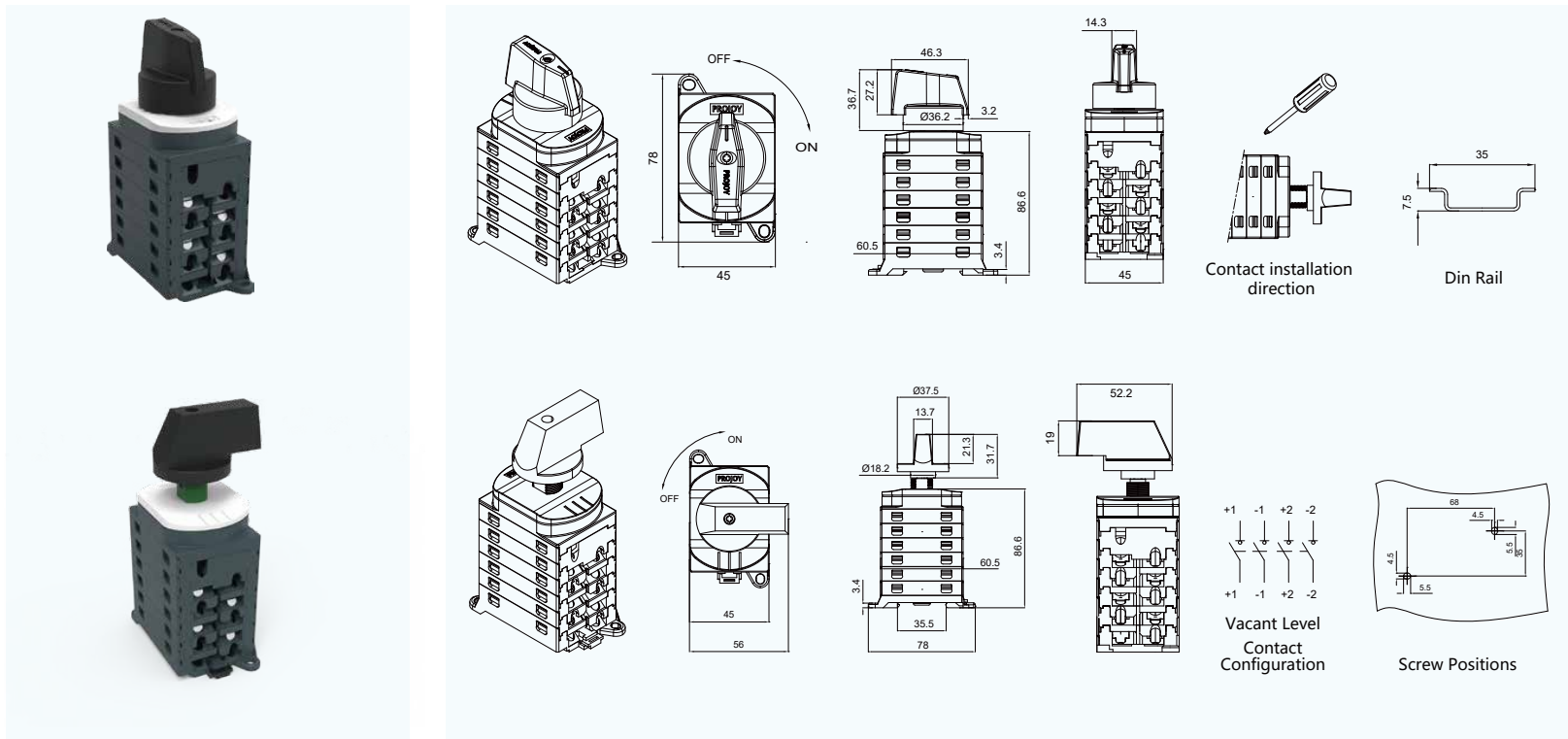
Technical Parameter				
Data according to IEC/EN60947-3:2009+A1+A2, GB/T14048.3. Utilization category DC-PV1/DC-21B				
Main Parameters			PEDS-40	PEDS-55
Rated insulation voltage	Ui	V	1500	1500
Rated thermal current	Ith	A	40	55
Rated impulse withstand voltage	Uimp	V	8000	8000
Rated short-time withstand current (1s)	Icw	2, 4, 6, 8	A 1200	1400
		2H	A 2000	2400
Rated short-circuit making capacity	Icm	2, 4, 6, 8	A 1200	1400
		2H	A 2000	2400
Rated conditional short-circuit current	Icc	A	5000	5000
Max. fuse size	gL (gG)	A	125	160
Maximum cable cross sections (incl. jumper)				
Solid or standard		mm <sup>2</sup>	4-16	4-16
Flexible		mm <sup>2</sup>	4-16	4-16
Flexible (+ multicore cable end)		mm <sup>2</sup>	4-16	4-16
Torque				
Tightening torque terminal screws M4.		Nm	1.2-1.8	
Tightening torque panel mounting screws ST4.2(304 stainless steel)		Nm	0.8-0.9	
Tightening torque single hole mounting nut M16		Nm	2.0-2.5	
Tightening torque knob screws M3		Nm	0.5-0.7	
Switching on or off torque		Nm	0.9-1.9	
Screw torque		Nm	1.5-2.0	

Technical Parameter			
Power loss per switch Max.			
2		4	6
4	W	8	12
6	W	12	18
8	W	16	24
2H	W	2	3
3H	W	3	4.5
4H	W	4	6
General parameters	W		
Knob positions		OFF at 12 hr, ON at 3 hr: ( OFF at 9 hr, ON at 12 hr optional)	
Mechanical life		10,000	
Number of DC poles		2 or 4 (6/8 pole optional)	
Distance of contacts (per pole)	mm	8	
Operation temperature	°C	-40 to +70	
Storage temperature	°C	-40 to +85	
Pollution degree		2	
Overvoltage category		III	
IP rating of shafte and mounting nut		IP66	

# DISTRIBUTION BOARD DC ISOLATOR

PEDS150-DB-X

## Dimensions

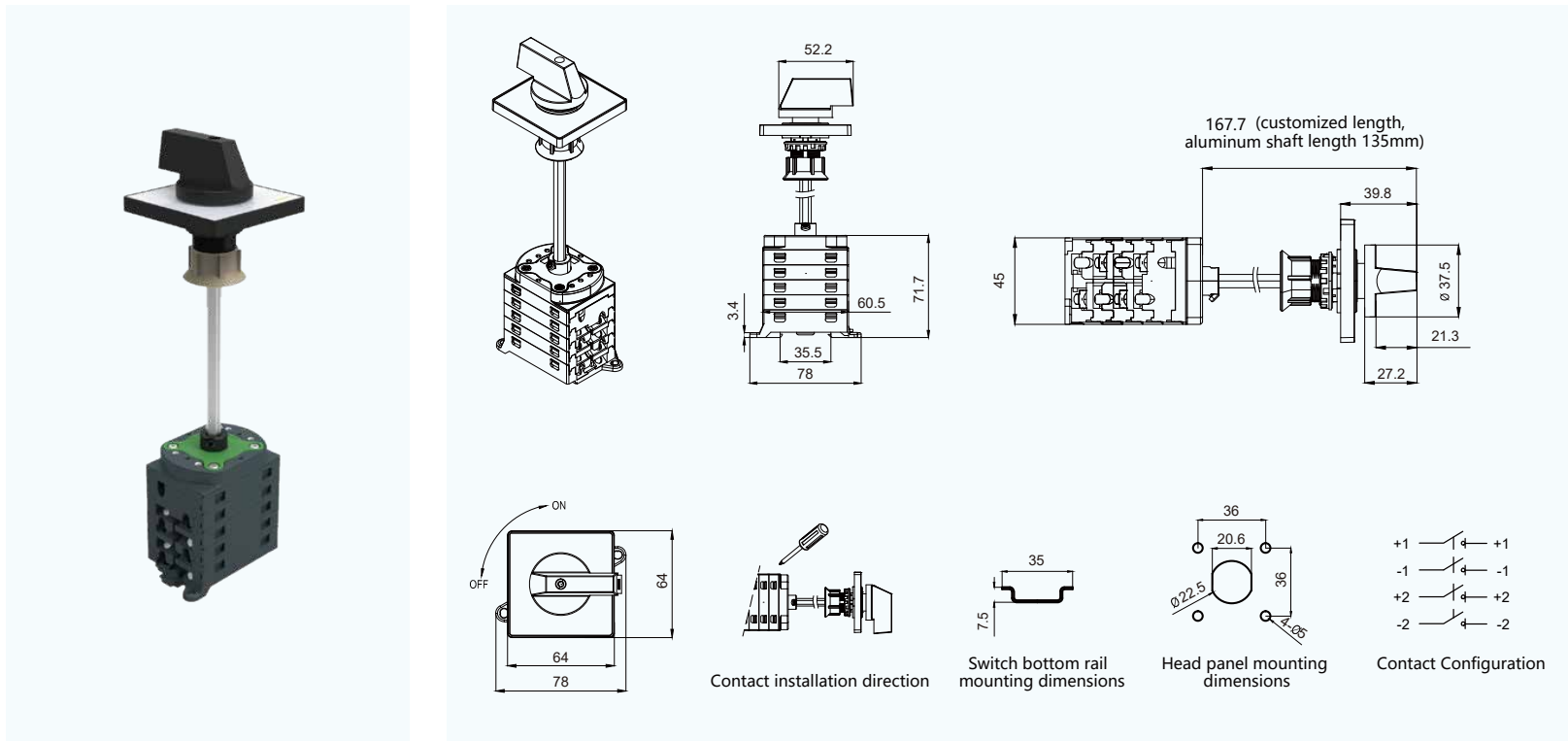




# DOOR CLUTCH DC ISOLATOR

PEDS150-DC-X

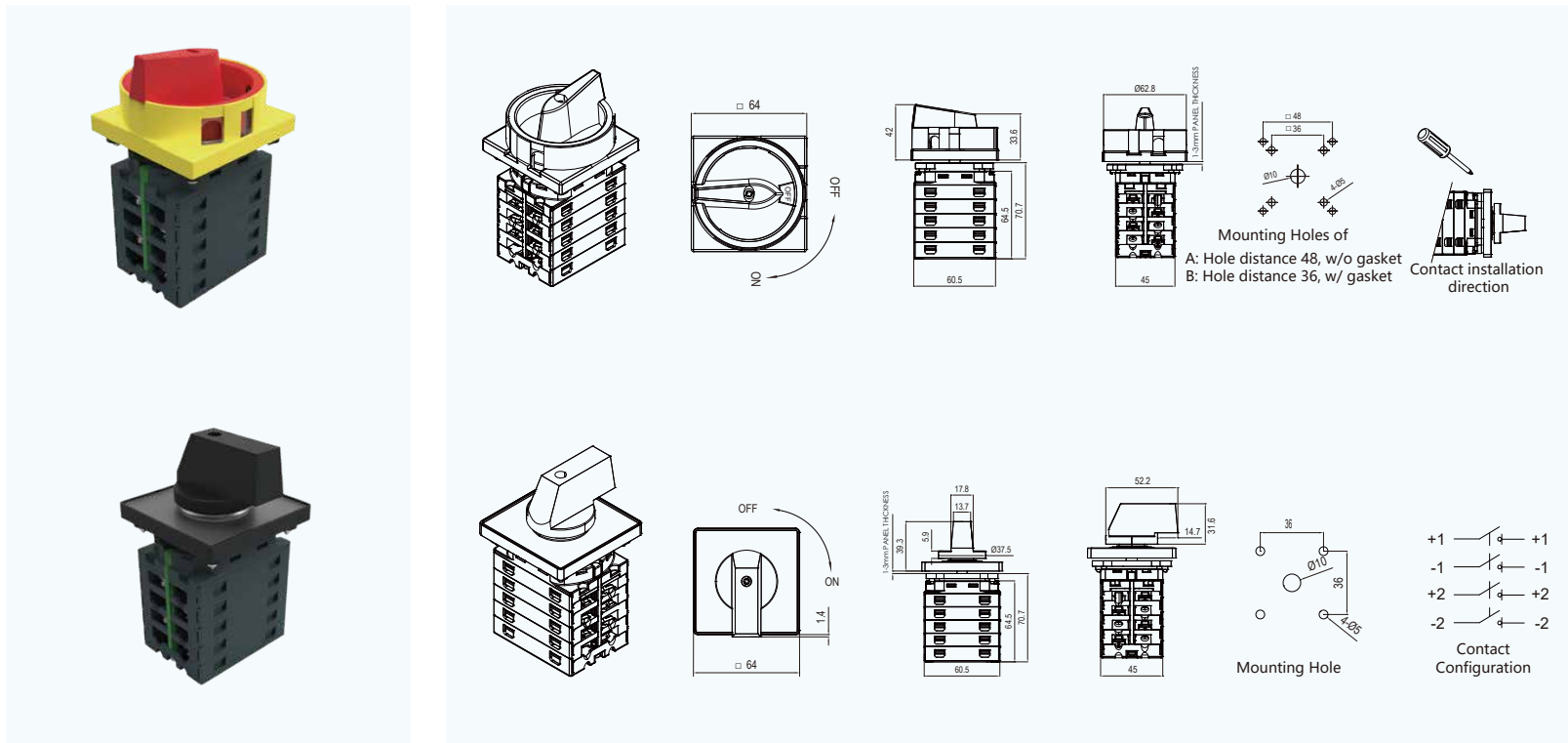
## Dimensions



# PANEL MOUNTING DC ISOLATOR

## PEDS150(R)-PM(R)-X

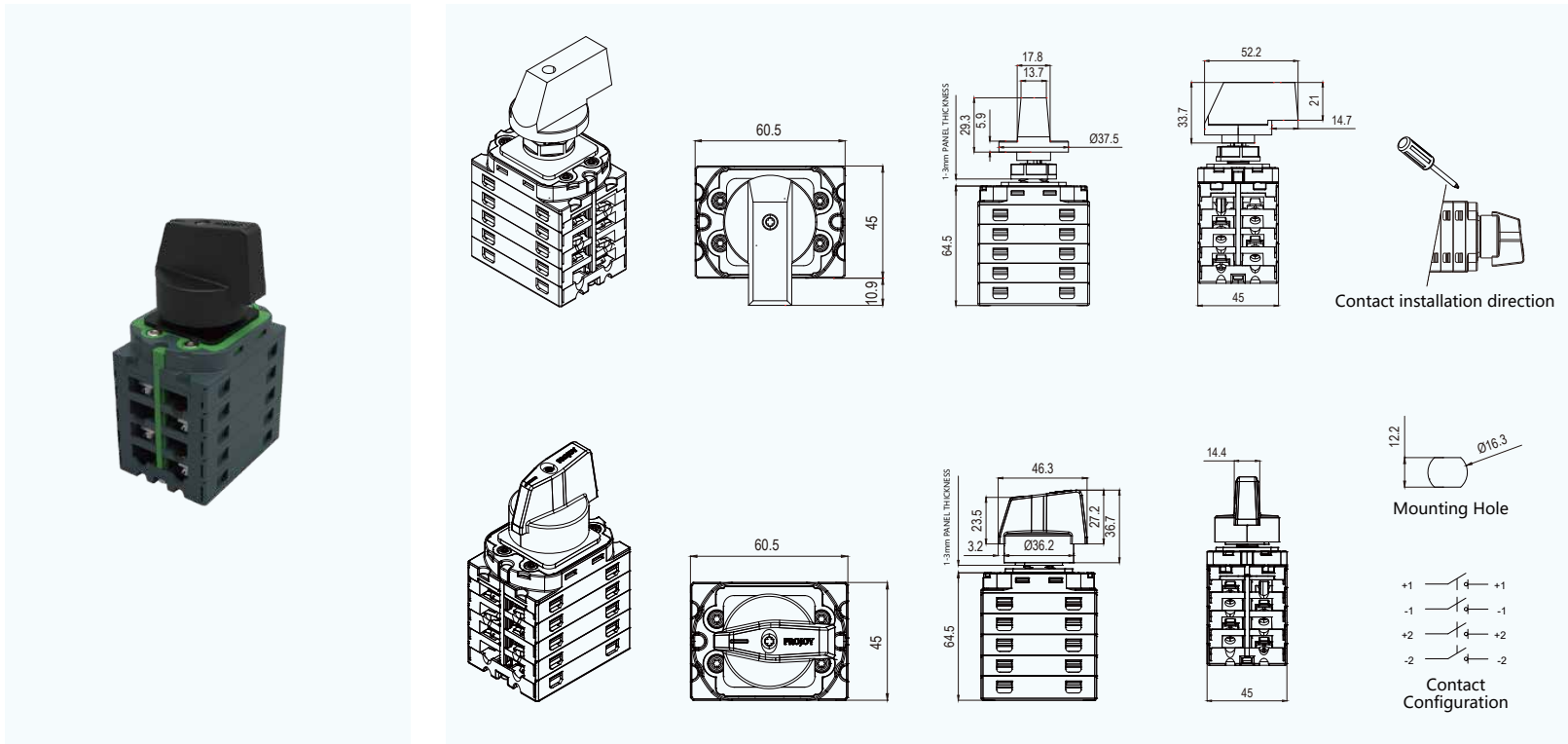
### Dimensions



# SINGLE HOLE MOUNTING DC ISOLATOR

## PEDS150(R)-HM-X

### Dimensions

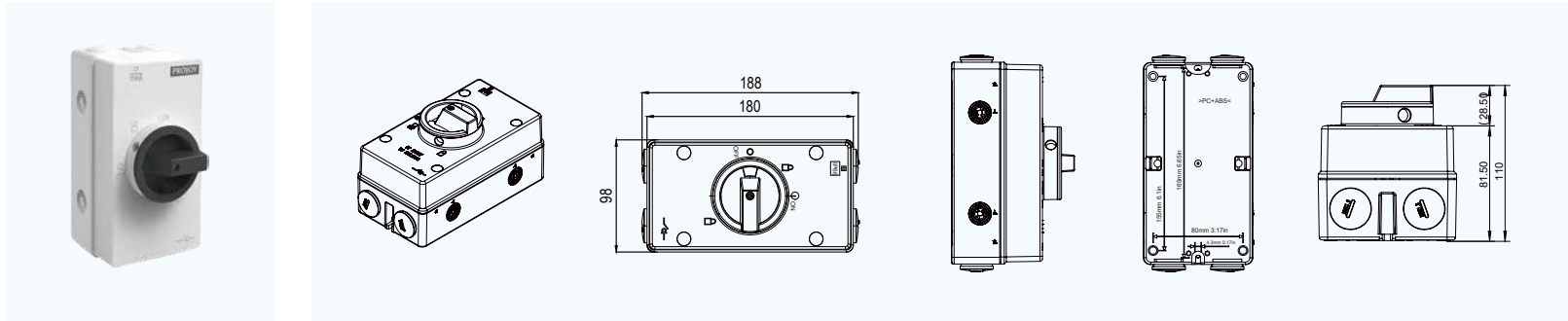


# ENCLOSURE DC ISOLATOR

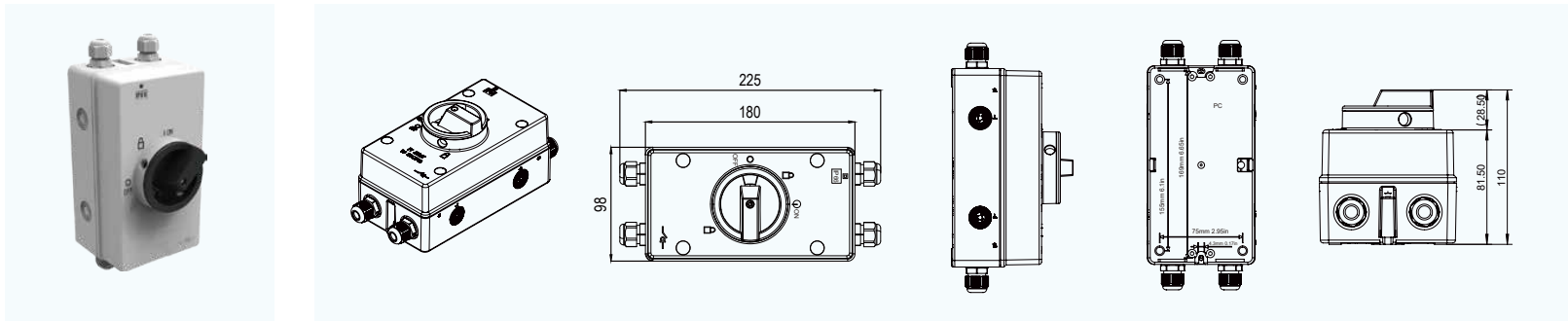
## PEDS150-EL(R)-X

### Dimensions

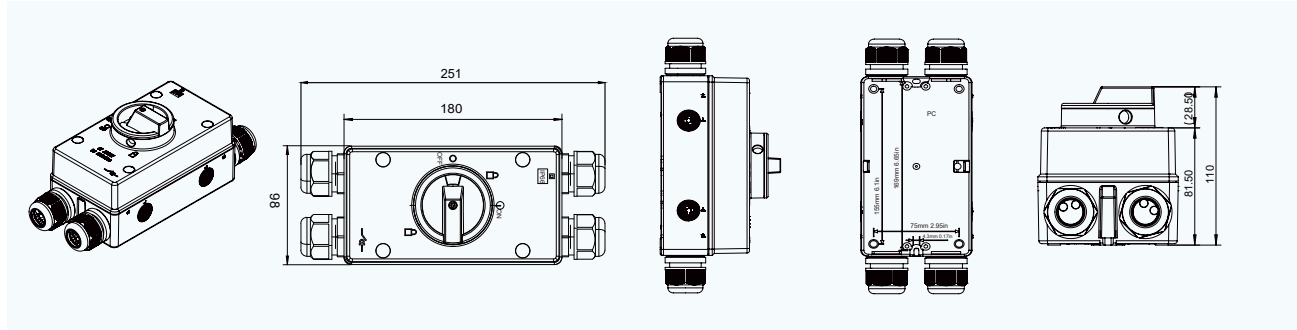
#### PEDS150-EL(R)-X



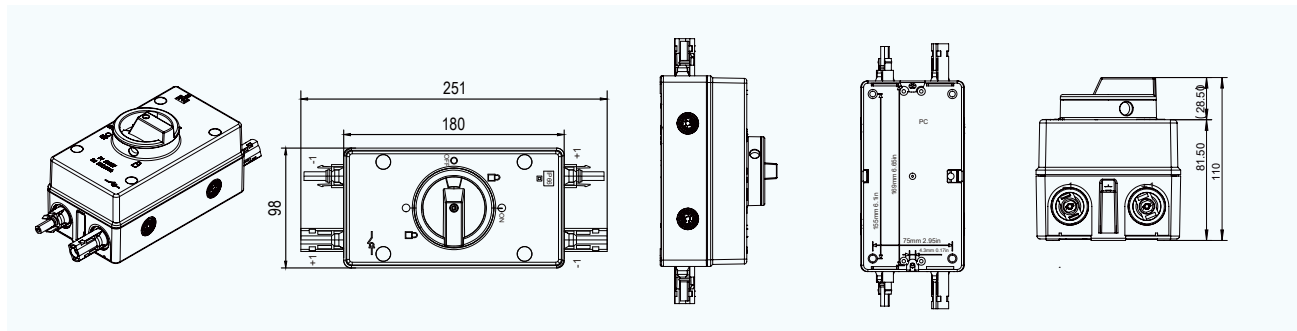
#### PEDS150-EL(R)-X M16



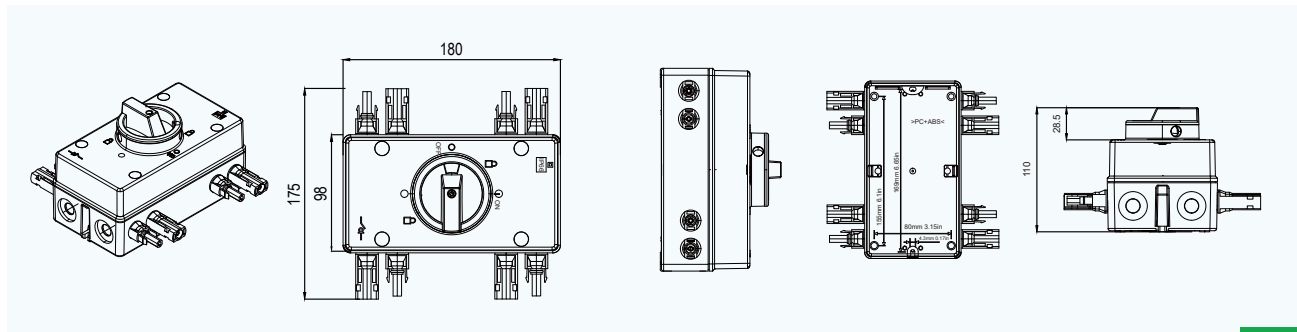
PEDS150-EL(R)-X M25



PEDS150R-EL(R)-X 2MC4



PEDS150-EL(R)-X 4MC4



## Technical Data

Data according to IEC/EN60947-3:2009+A1+A2, Utilization category DC-PV1						Pole	No. of Strings	Part Number
300V	600V	800V	1000V	1200V	1500V			
40	40	30	20	15	13	2	1	PEDS150(R)-a40x-2
55	55	45	33	33	18	2	1	PEDS150(R)-a55x-2
40	40	30	20	15	13	3	2	PEDS150(R)-a40x-3
55	55	45	33	33	18	3	2	PEDS150(R)-a55x-3
40	40	30	20	15	13	4	2	PEDS150(R)-a40x-4
55	55	45	33	33	18	4	2	PEDS150(R)-a55x-4
40	40	40	40	32	23	4	1	PEDS150(R)-a40x-4S
55	55	55	55	40	32	4	1	PEDS150(R)-a55x-4S
40	40	40	40	32	18	4	1	PEDS150(R)-a40x-4T
55	55	55	55	40	32	4	1	PEDS150(R)-a55x-4T
40	40	40	40	32	18	4	1	PEDS150(R)-a40x-4B
55	55	55	55	40	32	4	1	PEDS150(R)-a55x-4B
40	40	40	40	32	18	3	1	PEDS150(R)-a40x-3T
55	55	55	55	40	32	3	1	PEDS150(R)-a55x-3T
40	40	40	40	32	18	6	2	PEDS150(R)-a40x-6T
55	55	55	55	40	32	6	2	PEDS150(R)-a55x-6T
40	40	30	20	15	13	6	3	PEDS150(R)-a40x-6
55	55	45	33	33	18	6	3	PEDS150(R)-a55x-6
40	40	30	20	15	13	8	4	PEDS150(R)-a40x-8
55	55	45	33	33	18	8	4	PEDS150(R)-a55x-8
40	40	30	20	15	13	10	5	PEDS150(R)-a40x-10
55	55	45	33	33	18	10	5	PEDS150(R)-a55x-10

# PEDSC100R/ 120R Series

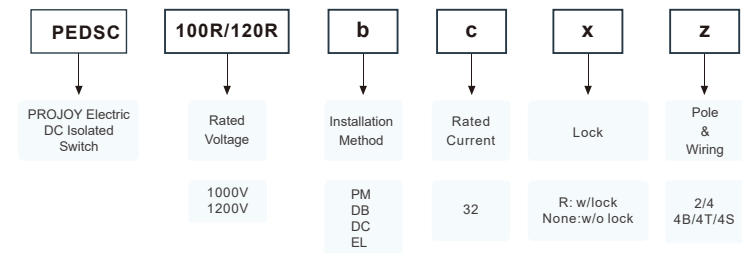
## DC Isolated Switch



## Features

- Non-polarity DC Isolator Switch.
- Panel Mounting, Distribution Board, Door Clutch Mounting or Plastic Enclosure optional.
- Compact structure and modular design, levels with different Poles from 2 to 8 are available.
- Parallel connections design, more big bore diameter makes connection fastness and flexibility.
- Fast switching structure, arcing time normally occurs less than 3ms.
- Self-cleaning contact mechanism, extending the lifespan of switch.
- Dynamic sealing design and world class sealing materials guarantee an IP66 protection rate.
- UL94V-0 standard flame resistant materials, the product can be full loading operation at temperatures  $-40\text{ }^{\circ}\text{C}$  ~  $+70\text{ }^{\circ}\text{C}$ .
- DC 1500V insulation voltage design, with TUV, CE(IEC/EN60947-3:2009+A1+A2), SAA(AS60947.3), DC-PV1 and DC-PV2. certifications.

## Select Code



## Technical Data

Data according to IEC/EN60947-3:2009+A1+A2, AS60947.3 , Utilization category DC-PV1 , DC-PV2

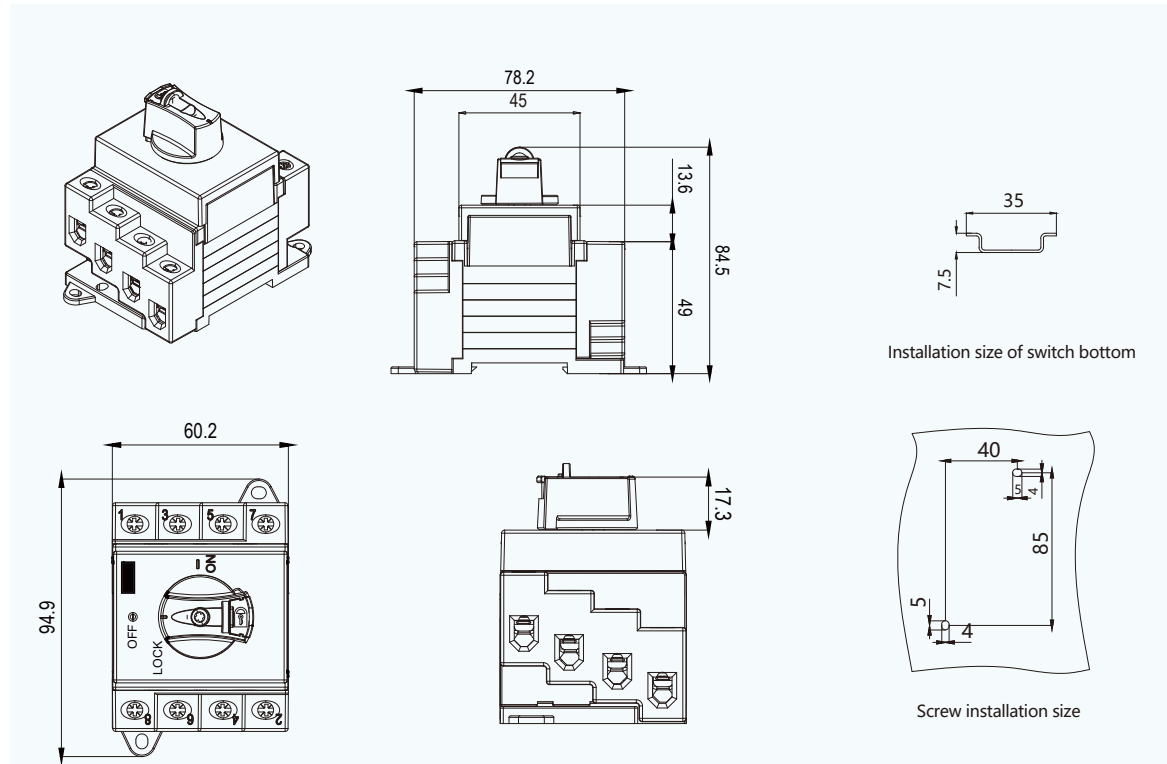
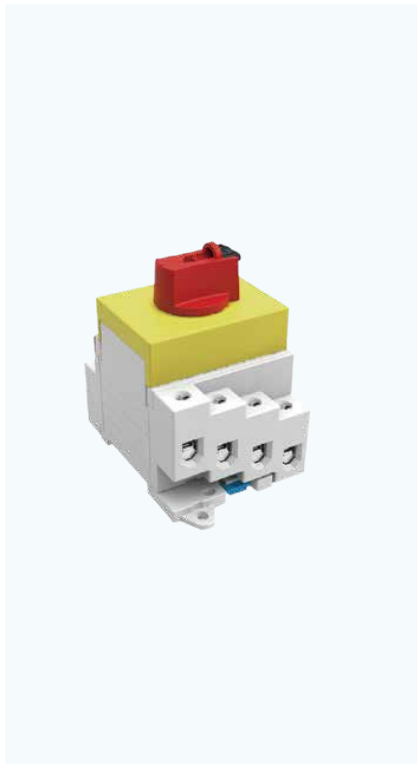
Main Parameters			PEDSC100R/120R-32(R)
Rated insulation voltage	Ui	V	1500
Rated thermal current	Ith	A	32
Rated impulse withstand voltage	Uimp	V	8000
Rated short-circuit making capacity	Icw	A	1000
Maximum cable cross sections (incl. jumper)			
Solid or standard		mm <sup>2</sup>	4-16
Flexible		mm <sup>2</sup>	4-10
Flexible (+ multicore cable end)		mm <sup>2</sup>	4-10
Torque			
Tightening torque terminal screws M4.		Nm	1.2-1.8
Tightening torque shell mounting screws ST4.2(304 stainless steel)		Nm	1.5-2.0
Tightening torque knob screws M3		Nm	0.5-0.7
Switching on or off Torque		Nm	0.9-1.3
The wiring Torque on Base		Nm	1.1-1.4
General parameters			
Knob positions			OFF at 9 hr, ON at 12 hr(Optional OFF at 12 hr, ON at 3 hr)
Mechanical life			10000
Number of DC poles			2 or 4 (6, 8 optional)
Operation temperature			-40 to +85
Storage temperature			-40 to +85
Pollution degree		°C	2
Overvoltage category		°C	III
IP rating of shafte and mounting nul			IP66



# DISTRIBUTION BOARD DC ISOLATOR

PEDSC100R/120R-DB32

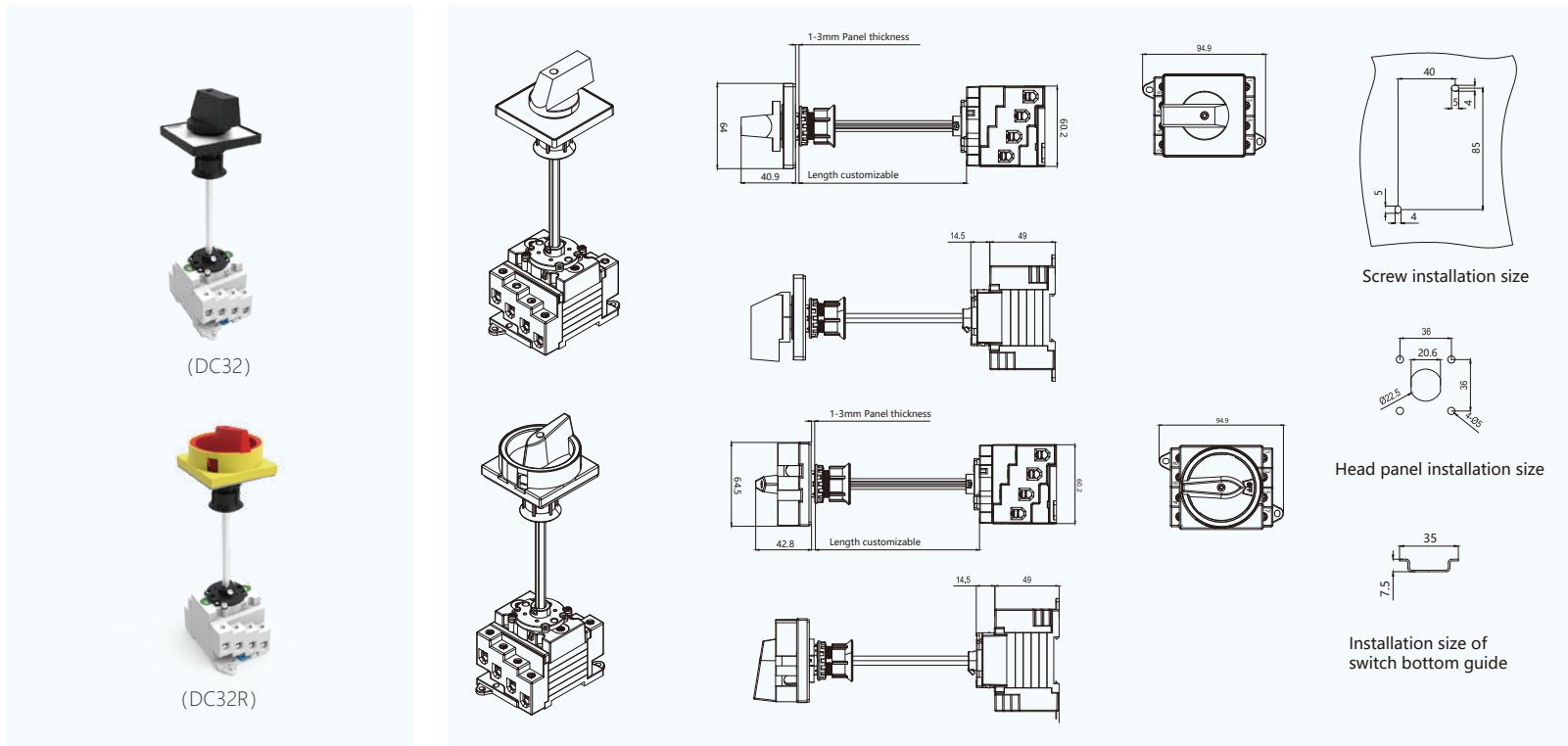
## Dimensions



# DOOR CLUTCH DC ISOLATOR

PEDSC100R/120R-DC32R

## Dimensions



# PANEL MOUNTING DC ISOLATOR

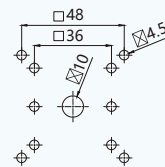
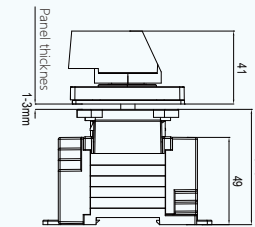
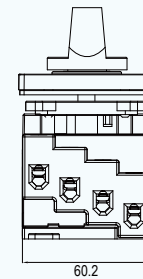
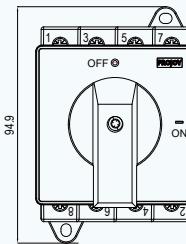
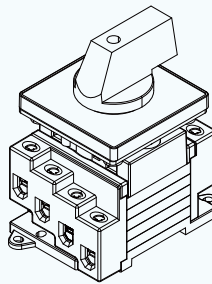
## PEDSC100R/120R-PM32R

### Dimensions

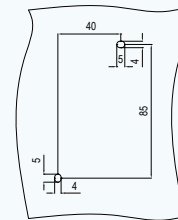
#### PEDSC100R/120R-PM32



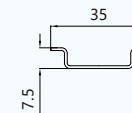
(PM32)



Head panel installation size  
The three installation methods in the figure:  
A: 4 hole, center distance 48(no gasket)  
B: 4 hole, center distance 36(4 hole gasket)  
C: 2 hole, center distance 36(2 hole gasket)



Screw installation size



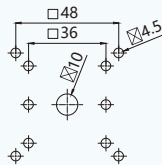
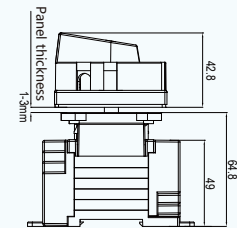
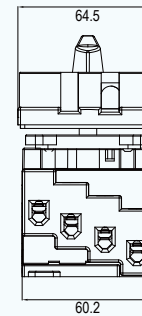
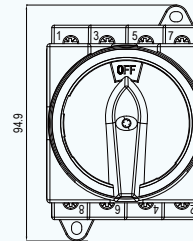
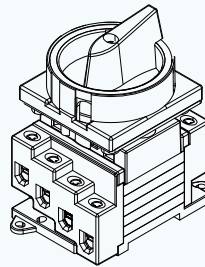
Installation size of switch bottom

# DISTRIBUTION BOARD DC ISOLATOR

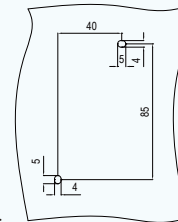
## Dimensions



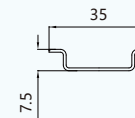
(PM32R)



Head panel installation size  
The three installation methods in the figure:  
A: 4 hole, center distance 48(no gasket)  
B: 4 hole, center distance 36(Assay gasket)



Screw installation size

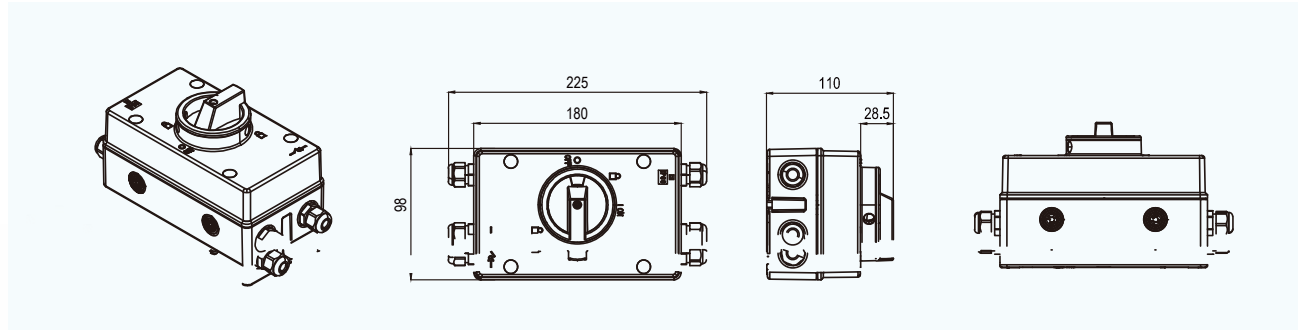
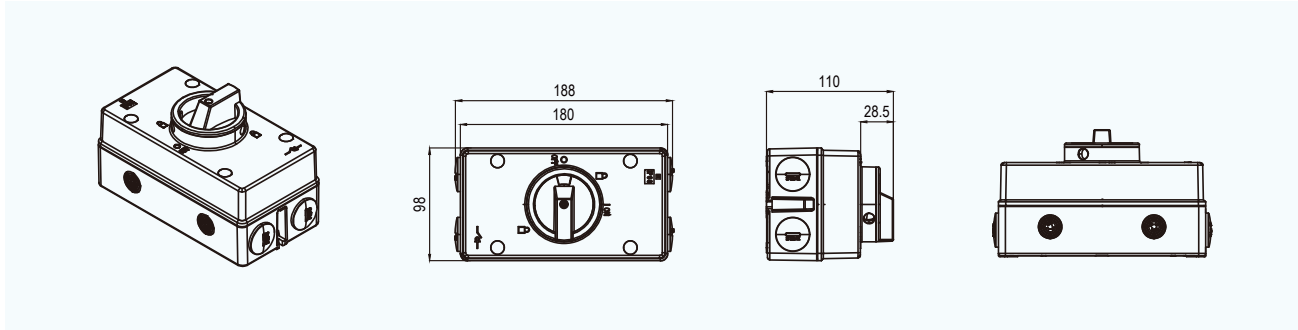


Installation size of switch bottom

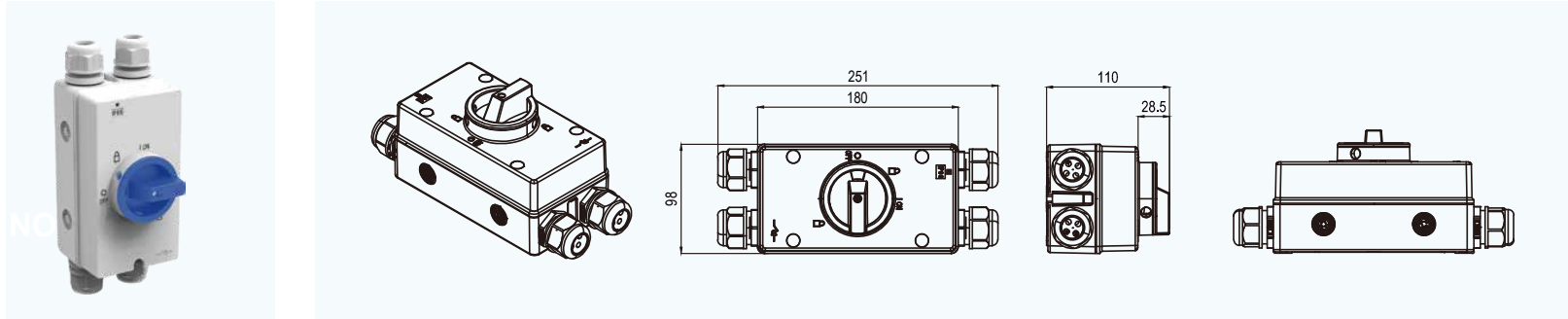
# ENCLOSURE DC ISOLATOR

## PEDSC100R/120R-EL32R

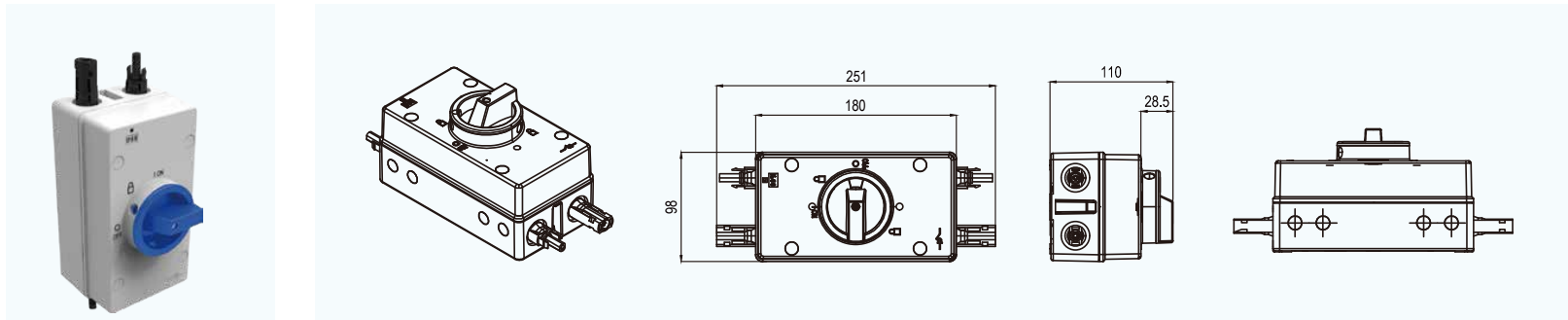
### Dimensions



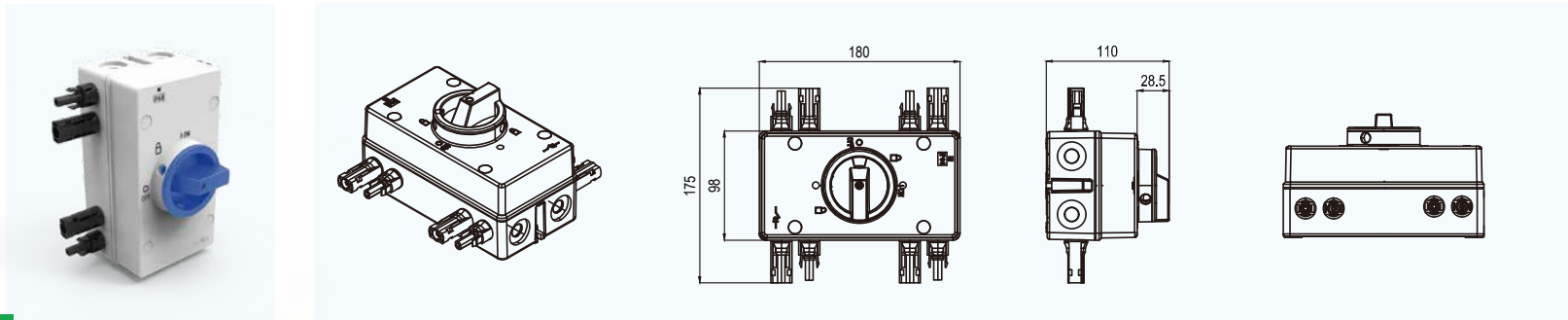
PEDSC100R/120R-EL32R M25



PEDSC100R/120R-EL32R 2MC4



PEDSC100R/120R-EL32R 4MC4



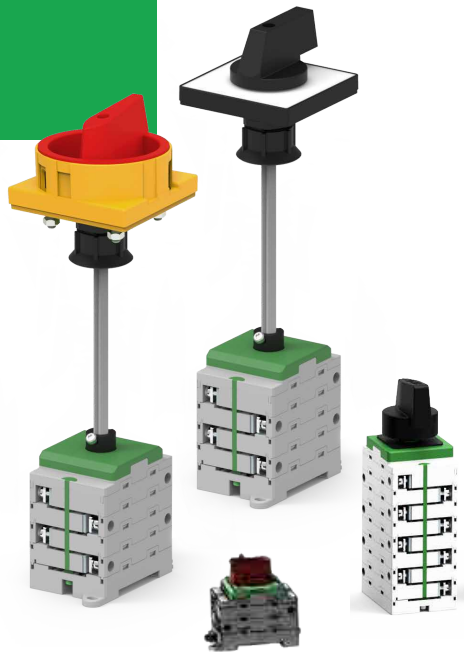
## Technical Data

Data according to IEC/EN60947-3:2009+A1+A2, AS60947.3, Utilization category DC-PV1, DC-PV2										Pole	No. of Strings	Part Number
300V		600V		800V		1000V		1200V				
PV1	PV2	PV1	PV2	PV1	PV2	PV1	PV2	PV1	PV2			
32	32	32	32	32	16	16	9	/	/	2	1	PEDSC100R-a32x-2
32	32	32	32	32	16	16	9	13	9	2	1	PEDSC120R-a32x-2
32	32	32	32	32	16	16	9	/	/	4	2	PEDSC100R-a32x-4
32	32	32	32	32	16	16	9	13	9	4	2	PEDSC120R-a32x-4
32	32	32	32	32	32	32	32	/	/	4	1	PEDSC120R-a32x-4S
32	32	32	32	32	32	32	32	32	32	4	1	PEDSC100R-a32x-4S
32	32	32	32	32	32	32	32	/	/	4	1	PEDSC120R-a32x-4B
32	32	32	32	32	32	32	32	32	32	4	1	PEDSC100R-a32x-4B
32	32	32	32	32	32	32	32	/	/	4	1	PEDSC120R-a32x-4T
32	32	32	32	32	32	32	32	32	32	4	1	PEDSC100R-a32x-4T

## Switching Configuration

Type	2-Pole	4-Pole	4-pole with Input and Output on top	4-pole with Input and Output bottom	4-pole with Input on top Output bottom
PEDSC100R/120R	2	4	4T	4B	4S
Contacts Wiring graph					
Switching example					

# PEDSH40/50 DC ISOLATOR




## Features

- Ding rail and base mounting isolators can be installed in control boxes, distribution boxes and junction boxes. IP20 protection level (prevents fingers from touching internal parts of electrical equipment).
- Parallel connections design, bigger bore diameter makes connection fastness and flexibility.
- Compact and elegant structure and modular design, multi-level contacts can be installed in the longitudinal section, optional 2-10.
- Compact and elegant structure and modular design, multi-level contacts can be installed in the longitudinal section, optional 2-10.
- Incorporating a user independent switching action, spring mechanism, to ensure a very fast break/make action, ensuring that the disconnection of the load circuits and suppression of the arc normally occurs within 5ms.
- Self-cleaning contact mechanism, reducing power loss and abrasion, improving the conduction performance, reducing the resistance and energy loss of the switch, extending the lifecycle.
- Flame resistant materials from world leading manufacturers, with a isolation class of UL94V-0, is employed, so that under ambient temperatures  $-40\text{ }^{\circ}\text{C} \sim +85\text{ }^{\circ}\text{C}$ , the product can work normally.
- DC 1500V operational voltage design, passed IEC/EN60947-3:2009 +A1+A2 test, with TUV, CE certification.



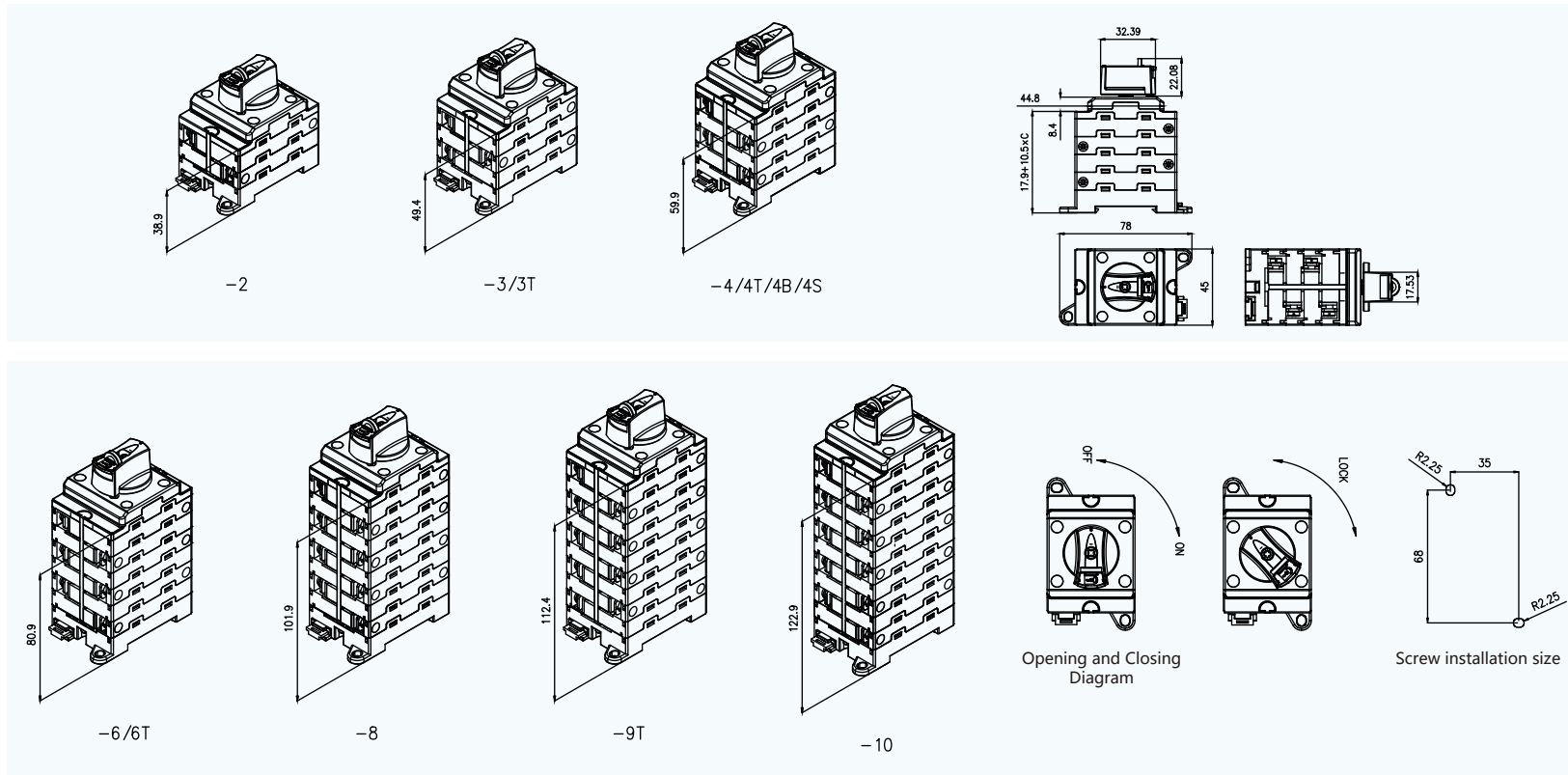
# Technical Data

Data according to IEC/EN60947-3:2009+A1+A2 , utilization category DC-PV1					
Main Parameters					
Rated insulation voltage	U <sub>i</sub>	1500V			
Rated operational voltage	U <sub>e</sub>	800V	1000V	1200V	1500V
Rated current	I <sub>e</sub>	40/50A	40/50A	30/40A	20/30A
Rated impulse withstand voltage	U <sub>imp</sub>	8kV			
Rated short-time withstand current (1s)	I <sub>cw</sub>	780A			
Rated conditional short-circuit current	I <sub>cc</sub>	5kA			
Mechanical life		9700			
Electrical Life		300			
IP rating of shaft and mounting nut		IP66			
Pollution degree		2			
Overvoltage category		III			
Elevation		2000m			
Operation temperature		-40~85°C			
Storage temperature		-40~85°C			
Method of mounting		Door Clutch			
Type of knob					
Knob positions		OFF at 12 hr, ON at 3 hr			
Maximum cable cross sections (incl. jumper)					
Flexible	mm <sup>2</sup>	4-10			
Flexible (+ multicore cable end)	mm <sup>2</sup>	4-10			
Torque					
Tightening torque terminal screws M4.	Nm	1.2-1.8			
Tightening torque panel mounting screws ST4.2(304 stainless steel)	Nm	0.8-0.9			
Tightening torque single hole mounting nut M16	Nm	NA			
Tightening torque knob screws M3	Nm	0.5-0.7			
Switching on or off torque	Nm	1.4-2.0			
Power loss per switch Max.					
2P	W	2.5			
4P	W	5.0			
6P	W	7.5			
8P	W	10			

# DISTRIBUTION BOARD DC ISOLATOR

PEDS150H-DB50/40

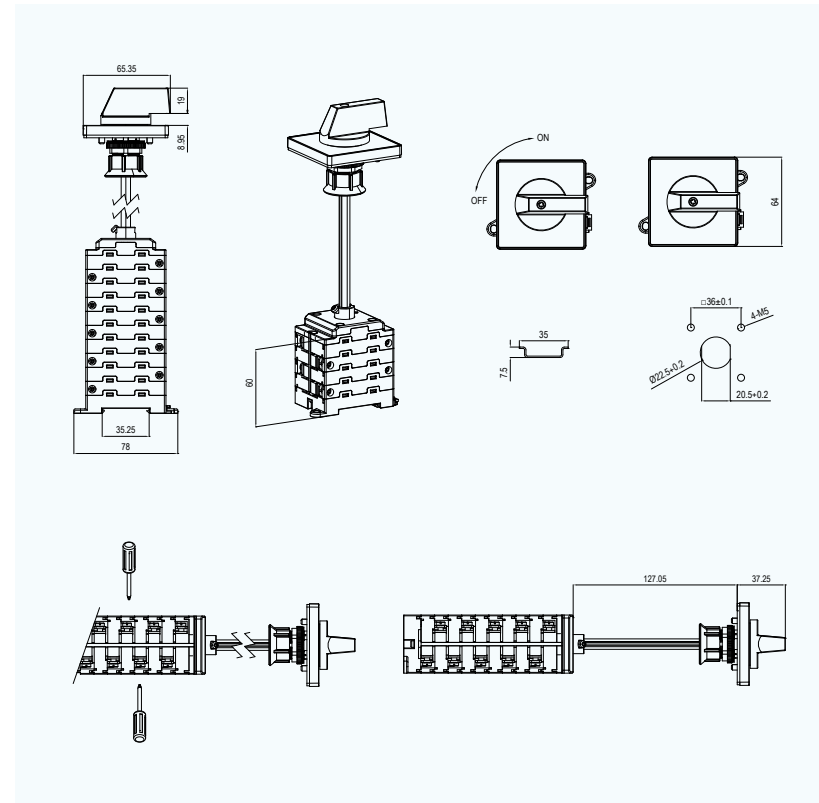
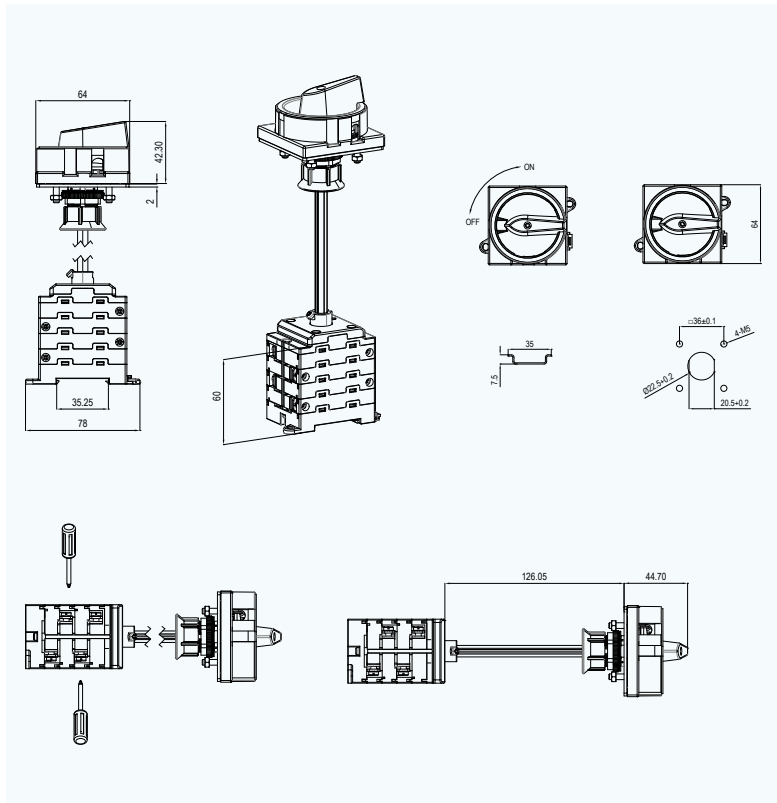
## Dimensions



# DOOR CLUTCH DC ISOLATOR

PEDS150H-DC50/40

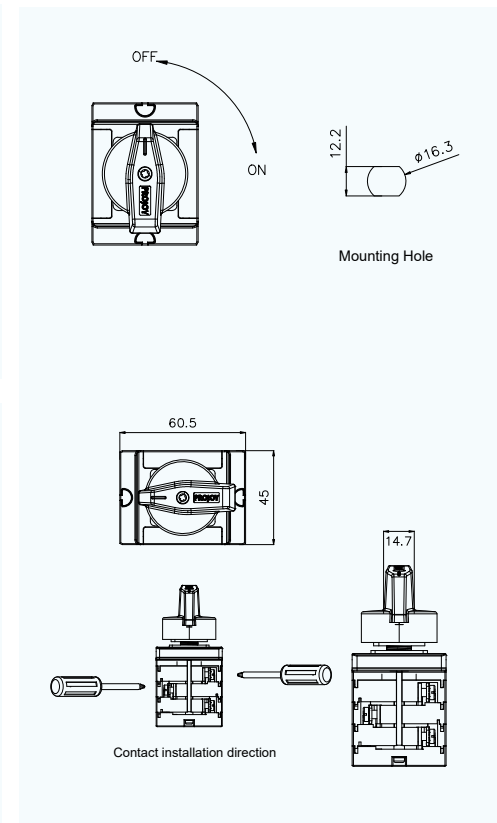
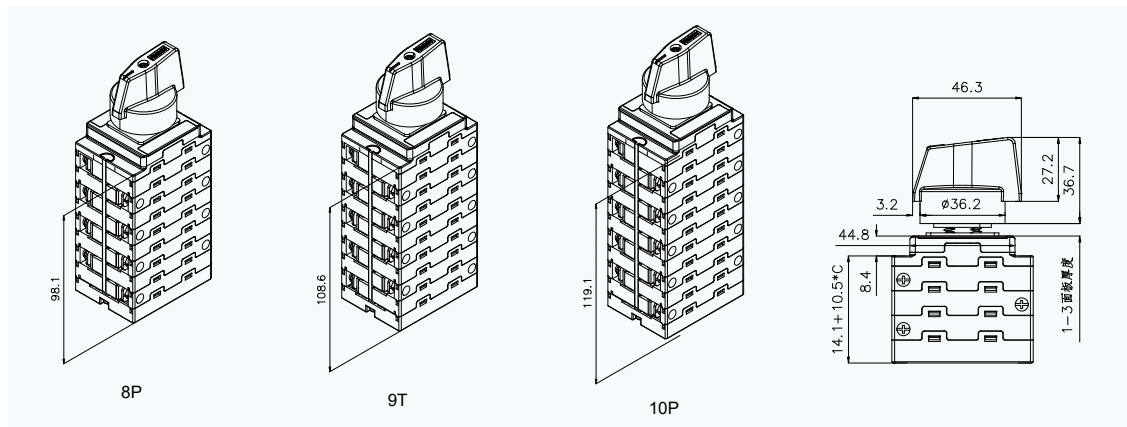
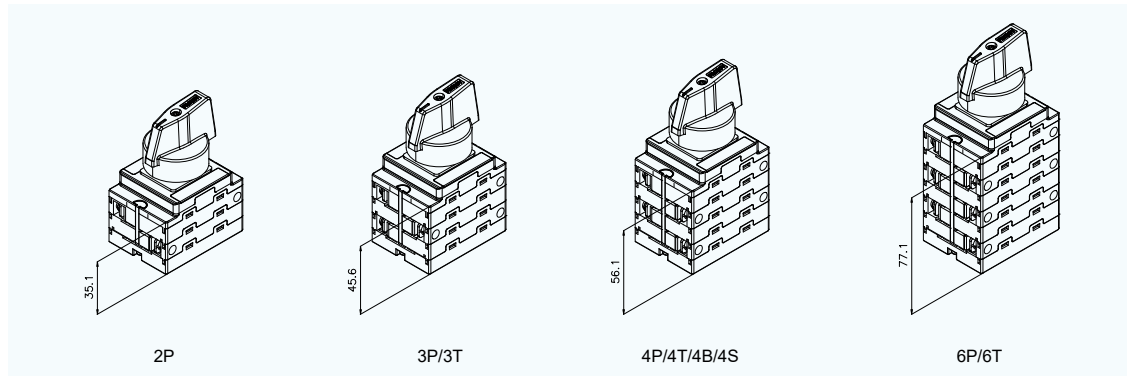
## Dimensions



# SINGLE HOLE MOUNTING DC ISOLATOR

PEDS150H-HM50/40

## Dimensions



## Technical Data

Data according to IEC/EN60947-3:2009+A1+A2, AS60947.3, Utilization category DC-PV1						Pole	No. of Strings	Part Number
300V	600V	800V	1000V	1200V	1500V			
50	50	50	50	40	30	2	1	PEDS150H-a50x-2
40	40	40	40	30	20	2	1	PEDS150H-a40x-2
50	50	50	50	40	30	3	2	PEDS150H-a50x-3
40	40	40	40	30	20	3	2	PEDS150H-a40x-3
50	50	50	50	40	30	4	2	PEDS150H-a50x-4
40	40	40	40	30	20	4	2	PEDS150H-a40x-4
50	50	50	50	40	30	6	3	PEDS150H-a50x-6
40	40	40	40	30	20	6	3	PEDS150H-a40x-6
50	50	50	50	40	30	8	4	PEDS150H-a50x-8
40	40	40	40	30	20	8	4	PEDS150H-a40x-8
50	50	50	50	40	30	10	5	PEDS150H-a50x-10
40	40	40	40	30	20	10	5	PEDS150H-a40x-10
50	50	50	50	50	50	4	1	PEDS150H-a50x-4B
40	40	40	40	40	40	4	1	PEDS150H-a40x-4B
50	50	50	50	50	50	4	1	PEDS150H-a50x-4T
40	40	40	40	40	40	4	1	PEDS150H-a40x-4T
50	50	50	50	50	50	4	1	PEDS150H-a50x-4S
40	40	40	40	40	40	4	1	PEDS150H-a40x-4S
50	50	50	50	50	40	3	1	PEDS150H-a50x-3T
40	40	40	40	40	30	3	1	PEDS150H-a40x-3T
50	50	50	50	50	40	6	2	PEDS150H-a50x-6T
40	40	40	40	40	30	6	2	PEDS150H-a40x-6T
50	50	50	50	50	40	9	3	PEDS150H-a50x-9T
40	40	40	40	40	30	9	3	PEDS150H-a40x-9T



**PROJOY**  
electric

*— Switch To Safety! —*

**ProJoy Electric Co., Ltd.**

2nd Floor, Building 3, No. 2266, Taiyang Road, Xiangcheng District, Suzhou, China

Tel: +86 512 6878 6489 | Fax: +86 512 6878 6489

Email: [sales@projoy-electric.com](mailto:sales@projoy-electric.com) | [www.projoy-electric.com](http://www.projoy-electric.com)